



**GENUINE PARTS CATALOGUE
CATALOGUE PIECES D'ORIGINE
ORIGINAL ERSATZTEILKATALOG
CATALOGO DE PIEZAS LEGITIMAS
CATALOGO RICAMBI ORIGINALI**

This document has been printed from  myedoc

MANITOU BF

Head office: 430, Rue de l'Aubinière
44150 Ancenis - FRANCE
Share capital: 39,548,949 euros
857 802 508 RCS Nantes
Tel: +33 (0)2 40 09 10 11
www.manitou.com

IMPORTANT

PARTS ORDER :

When placing an order, always state :

- Spare part ref. number
- Complete description
- Quantity
- Type of machine
- Machine serial number.
- Component identification number
(mast, jib, cab, engine, etc)

CAUTION :

Certain parts, or part assemblies illustrated in this catalogue are only supplied as options, and not with the standard machine.

SYMBOLS :

- └─▶ : From (machine, engine, date, etc.)
─▶┆ : Up to (machine, engine, date, etc.)

- □ : For (machine, engine, date, etc.)
□ □ : Except for (machine, engine, date, etc.)
◀ : See drawing

- , ■, ▲, ★, ⊗, ⊙, ⊕ : Up to } machine N°,
○, □, △, ☆, ⊗, ⊙, ⊕ : From } N° engine, cab,
transmission, etc.

This manual is for information purposes only. Any reproduction, copy, representation, recording, transfer, distribution, or other, in part or in whole, in any format is prohibited. The plans, designs, views, commentaries and instructions, even the document organization that are found in this document, are the intellectual property of MANITOU BF. Any violation of the aforementioned may lead to civil and criminal prosecution. The logos as well as the visual identity of the company are the property of MANITOU BF and may not be used without express and formal authorization. All rights are reserved.

IMPORTANT

COMMANDES DE PIECES :

Pour passer vos commandes, préciser toujours :

- N° de pièce recharge
- Désignation complète
- Quantité
- Type de machine
- N° dans la série de la machine
- N° d'identification du composant
(mât, flèche, cabine, moteur, etc.)

ATTENTION :

Certaines pièces ou montages de pièces illustrés dans ce catalogue sont livrés seulement en option et non avec la machine standard.

SYMBOLISATION :

- └─▶ : A partir de (machine, moteur, date, etc.)
─▶┆ : Jusqu'à (machine, moteur, date, etc.)

- □ : Pour (machine, moteur, etc.)
□ □ : Sauf pour (machine, moteur, etc.)
◀ : Voir planche

- , ■, ▲, ★, ⊗, ⊙, ⊕ : Jusqu'à } machine N°,
○, □, △, ☆, ⊗, ⊙, ⊕ : A partir } N° moteur, cabine,
transmission, etc.

La présente brochure n'est fournie qu'à titre consultatif, toute reproduction, copie, représentation, captation, cession, distribution, ou autre, partiellement ou en totalité, sous quelque format que ce soit est interdite. Les schémas, les dessins, les vues, les commentaires les indications, l'organisation même du document qui sont rapportés dans la présente documentation, sont la propriété intellectuelle de MANITOU BF. Toute infraction à ce qui précède est susceptible d'entraîner des condamnations civiles et pénales. Les logos ainsi que l'identité visuelle de l'entreprise sont la propriété de MANITOU BF et ne peuvent être utilisés sans autorisation expresse et formelle. Tous droits réservés.

WICHTIG

BESTELLUNG VON TEILEN :

Bei Ihrer Bestellung bitte immer folgende Daten angeben :

- Nr. des Ersatzteiles
- komplette Bezeichnung
- Menge
- Typ der Maschine
- Seriennummer der Maschine
- Identifikationsnummer des Bestandteiles
(Mast, Ausleger, Kabine, Motor, usw.)

ACHTUNG :

Bestimmte in diesem Katalog illustrierte Teile oder Montagen von Teilen werden ausschließlich als Option geliefert und nicht mit der Maschine in ihrer Standardausführung.

SYMBOLISIERUNG :

- └─▶ : Ab (Maschine, Motor, Datum, usw.)
─▶┆ : Bis (Maschine, Motor, Datum, usw.)

- □ : Bei (Maschine, Motor, Datum, usw.)
□ □ : Außer bei (Maschine, Motor, Datum, usw.)
◀ : siehe Tafel

- , ■, ▲, ★, ⊗, ⊙, ⊕ : Bis } Maschine N°,
○, □, △, ☆, ⊗, ⊙, ⊕ : Ab } Motor Nr, kabine,
Transmission, usw.

Die vorliegende Broschüre dient allein zur Beratung. Nachdruck, Fotokopieren, Vervielfältigung, Darstellung, Erfassung, Überlassung, Verbreitung oder Sonstiges (ganz oder teilweise) in jeglicher Form sind verboten. Die Entwürfe, Zeichnungen, Bilder, Darstellungen, Ansichten, Kommentare, Hinweise und der Aufbau der Druckschrift selbst, die in der vorliegenden Dokumentation enthalten sind, sind geistiges Eigentum von MANITOU BF. Alle Verstöße gegen das Vorstehende können zu straf- oder zivilrechtlicher Verfolgung führen. Die Logos und Markenzeichen sowie Unternehmens- und Produktbezeichnungen sind Eigentum von MANITOU BF und dürfen ohne ausdrückliche Genehmigung nicht verwendet werden. Alle Rechte vorbehalten.

IMPORTANTE

PEDIDOS DE PIEZAS :

Cuando efectúe sus pedidos, indique siempre :

- N° de pieza de recambio
- Designación completa
- Cantidad
- Tipo de máquina
- N° en la serie de la máquina
- N° de identificación del componente
(mástil, pluma, cabina, motor, etc.)

ATENCIÓN

Ciertas piezas o montajes de piezas ilustrados en este catálogo se suministran únicamente como opción y no con la máquina estándar.

SÍMBOLOS :

- └─▶ : A partir de (máquina, motor, fecha, etc.)
─▶ : Hasta (máquina, motor, fecha, etc.)

- □ : Para (máquina, motor, etc.)
□ □ : Salvo para (máquina, motor, etc.)
◀ : Ver la lámina

- , ■, ▲, ★, ⊕, ⊗, ⊙ : Hasta } máquina N°,
○, □, △, ☆, ⊗, ⊙, ⊕ : A partir } N° motor, cabina,
transmisión, etc.

Este folleto se ofrece a título meramente informativo y queda prohibida su reproducción, copia, representación, captación, cesión, distribución y demás, parcial o total, en el formato que sea. Los esquemas, dibujos, vistas, comentarios, indicaciones, la organización misma del documento aportado en esta documentación son propiedad intelectual de MANITOU BF. Cualquier infracción a lo antedicho puede acarrear condenas civiles y penales. Los logotipos y la identidad visual de la empresa son propiedad de MANITOU BF y no pueden utilizarse sin su autorización expresa y formal. Reservados todos los derechos.

IMPORTANTE

ORDINE DI PEZZI :

Per passare i vostri ordini, precisare sempre :

- N° pezzo di ricambio
- Descrizione completa
- Quantità
- Tipo di macchina
- N° di serie della macchina
- N° d'identificazione componente
(rampa, braccio, cabina, motore, ecc.)

ATTENZIONE :

Alcuni pezzi o montaggio di pezzi illustrati in questo catalogo vengono spediti solamente come optional e non con la macchina standard.

SIMBOLI :

- └─▶ : A partire da (macchina, motore, data, ecc.)
─▶ : Fino a (macchina, motore, data, ecc.)

- □ : Per (macchina, motore, ecc.)
□ □ : Escluso per (macchina, motore, ecc)
◀ : Vedere tavola

- , ■, ▲, ★, ⊕, ⊗, ⊙ : Fino a } macchina N°,
○, □, △, ☆, ⊗, ⊙, ⊕ : A partire da } N° motore, cabina,
trasmissione, ecc.

Il presente manuale è fornito esclusivamente a titolo di consultazione; è vietata qualsiasi riproduzione, copia, rappresentazione, acquisizione, cessione, distribuzione o altro, parziale o totale, e in qualsivoglia formato. Gli schemi, i disegni, le viste, i commenti, le indicazioni e l'organizzazione stessa del documento, riportati nella presente documentazione, sono proprietà intellettuale di MANITOU BF. Qualsiasi violazione a quanto riportato sopra è passibile di condanna civile e penale. I loghi e l'identità visiva dell'azienda sono di proprietà di MANITOU BF e non possono essere utilizzati senza previa autorizzazione espressa e formale. Tutti i diritti sono riservati.

Contents

GENERAL INSTRUCTIONS AND SAFETY NOTICE

_ADHESIVE SIGNS

12AA268 - ADHESIVE (547367) 1

FRAME - BODY

_STEERING HOUSING

6AA211 - FRAME (547367) 3
5BA250 - PERSONNEL BASKET (547367) 7
5BA252 - SCISSORS (547367) 11

ELECTRICITY

_REMOTE CONTROL UNIT

11AA804 - ELECTRICITY (PRINCIPAL CIRCUIT) (547367) 13
11AA805 - ELECTRICITY (PRINCIPAL CIRCUIT) (547367) 16
11CB430 - ELECTRICITY (DETAILS) (547367) 19
11CB604 - ELECTRICITY (DETAILS) (547367) 21

_CIRCUIT - HARNESS

11AA1077 - ELECTRICITY (PRINCIPAL CIRCUIT) (547367) 25
11AA533 - ELECTRICITY (PRINCIPAL CIRCUIT) (547367) 28
11AA675 - REPLACED BY DRAWING 11 AA 805 (547367) 31
11AA804 - ELECTRICITY (PRINCIPAL CIRCUIT) (547367) See page 13
11AA805 - ELECTRICITY (PRINCIPAL CIRCUIT) (547367) See page 16
11CB1200 - ELECTRICITY (DETAILS) (547367) 34
11CB1201 - ELECTRICITY (DETAILS) (547367) 36
11CB1202 - ELECTRICITY (DETAILS) (547367) 38
11CB428 - ELECTRICITY (DETAILS) (547367) 40
11CB429 - ELECTRICITY (DETAILS) (547367) 44
11CB485 - ELECTRICITY (DETAILS) (547367) 46
11CD69 - REPLACED BY DRAWING 11 CB 785 (547367) 48
11CD70 - REPLACED BY DRAWING 11 CD 69 (547367) 50

AXLE ASSEMBLY - AXLE

_REAR

3AA144 - WHEELS (547367) 52

_FRONT

3AA144 - WHEELS (547367) See page 52
6AA211 - FRAME (547367) See page 3

_STEERING HOUSING

6AA211 - FRAME (547367) See page 3

_WHEELS

10DC42 - WHEELS MOTOR (547367) 54
3AA144 - WHEELS (547367) See page 52

HYDRAULIC

_CIRCUIT

__STEERING

10BA174 - HYDRAULIC (STEERING-TRANSLATION CIRCUIT) (547367) 56
10BA261 - HYDRAULIC (STEERING-TRANSLATION CIRCUIT) (547367) 59

__LIFTING	
10AE379 - HYDRAULIC (LIFTING CIRCUIT) (547367)	62
__MAIN	
10AA341 - HYDRAULIC (PRINCIPAL CIRCUIT) (547367)	64
10AA522 - HYDRAULIC (PRINCIPAL CIRCUIT) (547367)	67
__BOOM TRANSLATION	
10BA174 - HYDRAULIC (STEERING-TRANSLATION CIRCUIT) (547367)	See page 56
10BA261 - HYDRAULIC (STEERING-TRANSLATION CIRCUIT) (547367)	See page 59
__VALVE BANK	
10DA219 - VALVE BANK (547367)	71
__ENGINE	
10AA522 - HYDRAULIC (PRINCIPAL CIRCUIT) (547367)	See page 67
__PUMP	
10AA522 - HYDRAULIC (PRINCIPAL CIRCUIT) (547367)	See page 67
__VALVE	
10AE379 - HYDRAULIC (LIFTING CIRCUIT) (547367)	See page 62
10BA174 - HYDRAULIC (STEERING-TRANSLATION CIRCUIT) (547367)	See page 56
10BA261 - HYDRAULIC (STEERING-TRANSLATION CIRCUIT) (547367)	See page 59
10DA219 - VALVE BANK (547367)	See page 71
__RAM	
__STEERING	
10CE37 - HYDRAULIC (STEERING CYLINDER) (547367)	74
__LIFTING	
10CA196 - HYDRAULIC (LIFTING CYLINDER) (547367)	76

ENGINE

__ENGINE UNIT	
11CD70 - REPLACED BY DRAWING 11 CD 69 (547367)	See page 50
__ELECTRICITY	
11CD70 - REPLACED BY DRAWING 11 CD 69 (547367)	See page 50
__FILTRATION - COURROIE	
10AA522 - HYDRAULIC (PRINCIPAL CIRCUIT) (547367)	See page 67
__FUEL SUPPLY SYSTEM	
10AA522 - HYDRAULIC (PRINCIPAL CIRCUIT) (547367)	See page 67
__FUEL SUPPLY SYSTEM - INJECTION	
10AA522 - HYDRAULIC (PRINCIPAL CIRCUIT) (547367)	See page 67
__ELECTRICAL SYSTEM	
11CD70 - REPLACED BY DRAWING 11 CD 69 (547367)	See page 50
10DC42 - WHEELS MOTOR (547367)	See page 54

TRANSMISSION

__HYDROSTATIC CIRCUIT	
-----------------------	--

__BRAKE

10DC43 - WHEELS BRAKE (547367) 78
10DC42 - WHEELS MOTOR (547367) See page 54

_HYDROSTATIC MOTOR

__WHEELS

10DC42 - WHEELS MOTOR (547367) See page 54
6AA211 - FRAME (547367) See page 3

FILTERS-BELT

10AA522 - HYDRAULIC (PRINCIPAL CIRCUIT) (547367) See page 67

FRONT ARMS

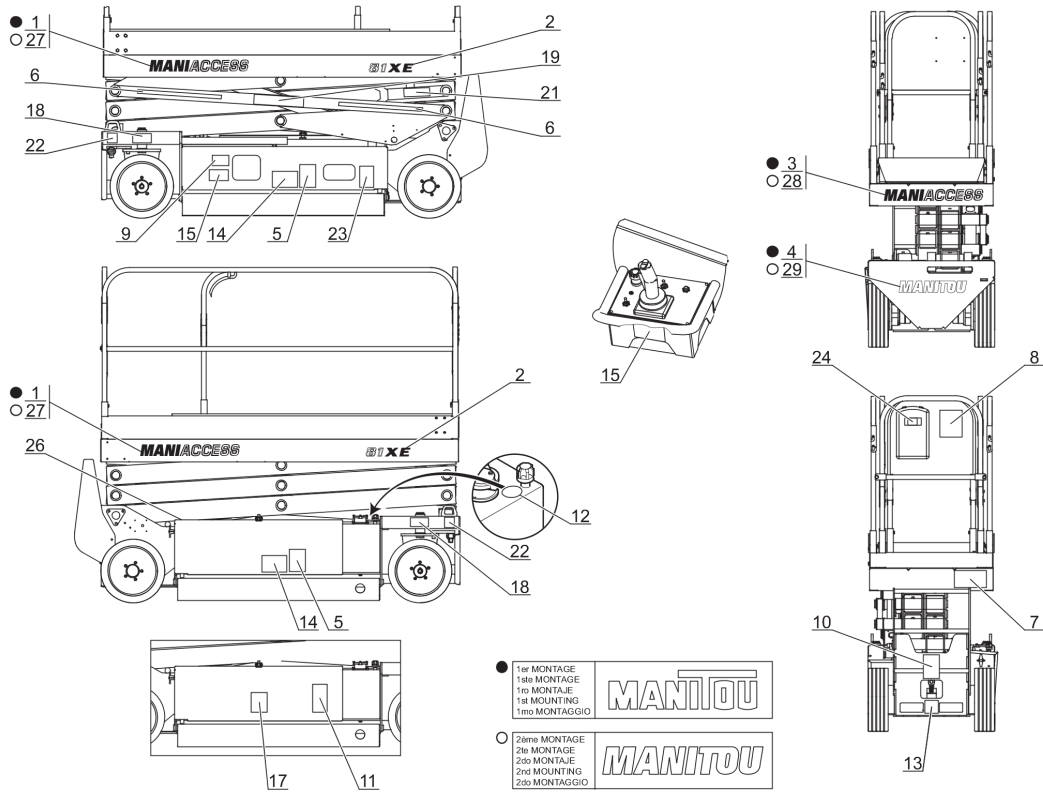
_PERSONNEL BASKET

5BA250 - PERSONNEL BASKET (547367) See page 7
5BA252 - SCISSORS (547367) See page 11

12 AA 268

ADHESIFS
KLEBSTOFF
ADHESIVO
ADHESIVE
ADESIVO

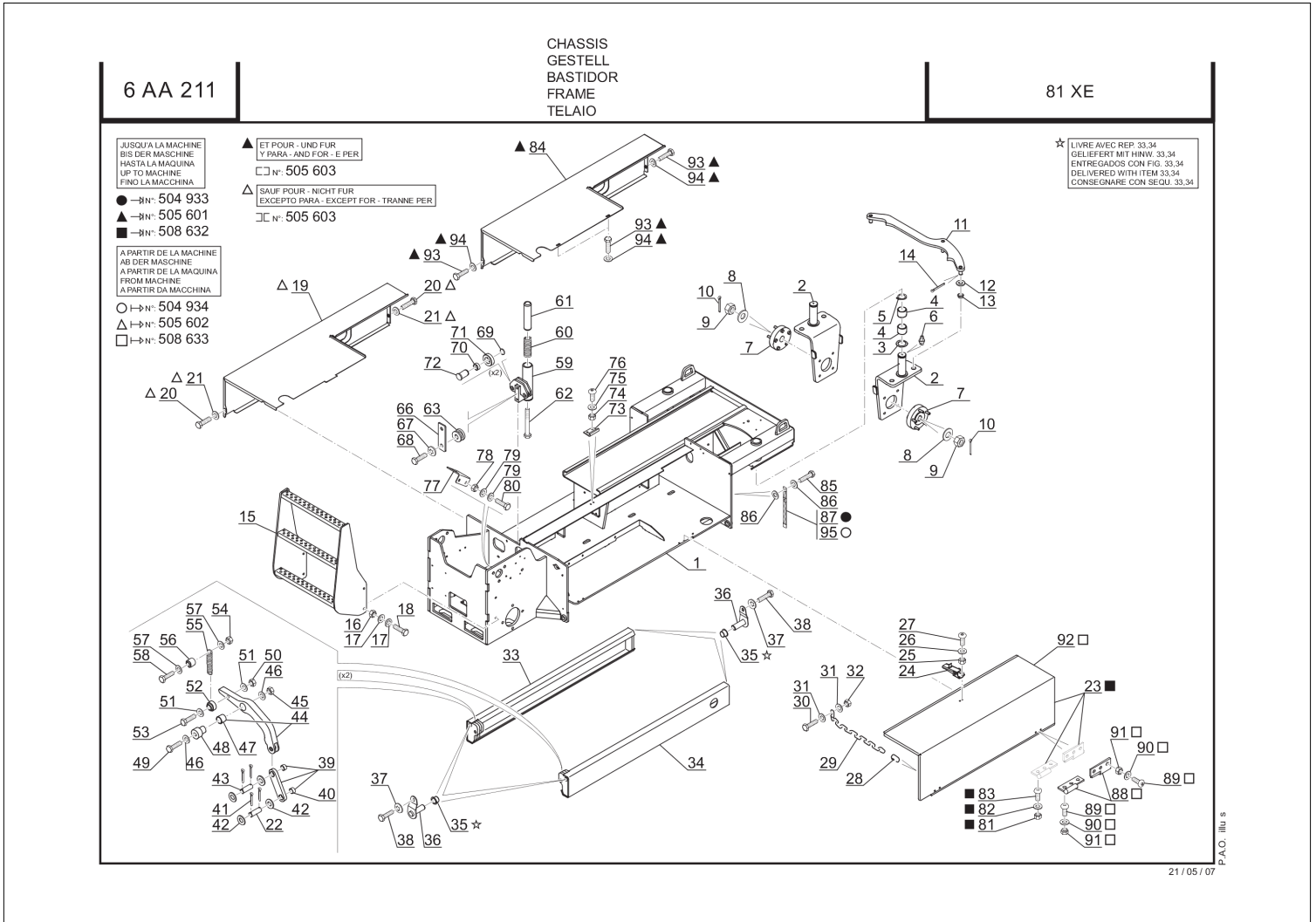
81 XE



05 / 06 / 07 P.A.O. illus

Item	Part No.	Name	Characteristics	Qty	Superseded Part Number	Product Type
1	225117	Adhesive		2		81 XE
2	599340	Adhesive		2		81 XE
3	519226	Adhesive (white)		1		81 XE
4	76600	Adhesive (white)		1		81 XE
5	598980	Adhesive		2		81 XE
6	598015	Adhesive		2		81 XE
7	599335	Adhesive		1		81 XE
8	599336	Adhesive		1		81 XE
9	599371	Adhesive		1		81 XE
10	599362	Adhesive		1		81 XE
11	599341	Adhesive		1		81 XE
12	597652	Adhesive		1		81 XE
13	599342	Adhesive		1		81 XE
14	599160	Adhesive		2		81 XE
15	598892	Adhesive		2	518899, 519438, 519239, 519338, 593800, 519243, 519244, 519241, 519242, 519462, 519240	81 XE
17	677856	Adhesive		1		81 XE
18	597655	Adhesive		2		81 XE
19	597657	Adhesive		1		81 XE
21	599365	Adhesive		1		81 XE
22	598895	Adhesive		2		81 XE
23	599373	Adhesive		1		81 XE
24	598897	Adhesive		1		81 XE
26	598894	Adhesive		1		81 XE
27	678441	Adhesive		2		81 XE
28	678465	Adhesive		1		81 XE
29	678456	Adhesive		1		81 XE

_STEERING HOUSING

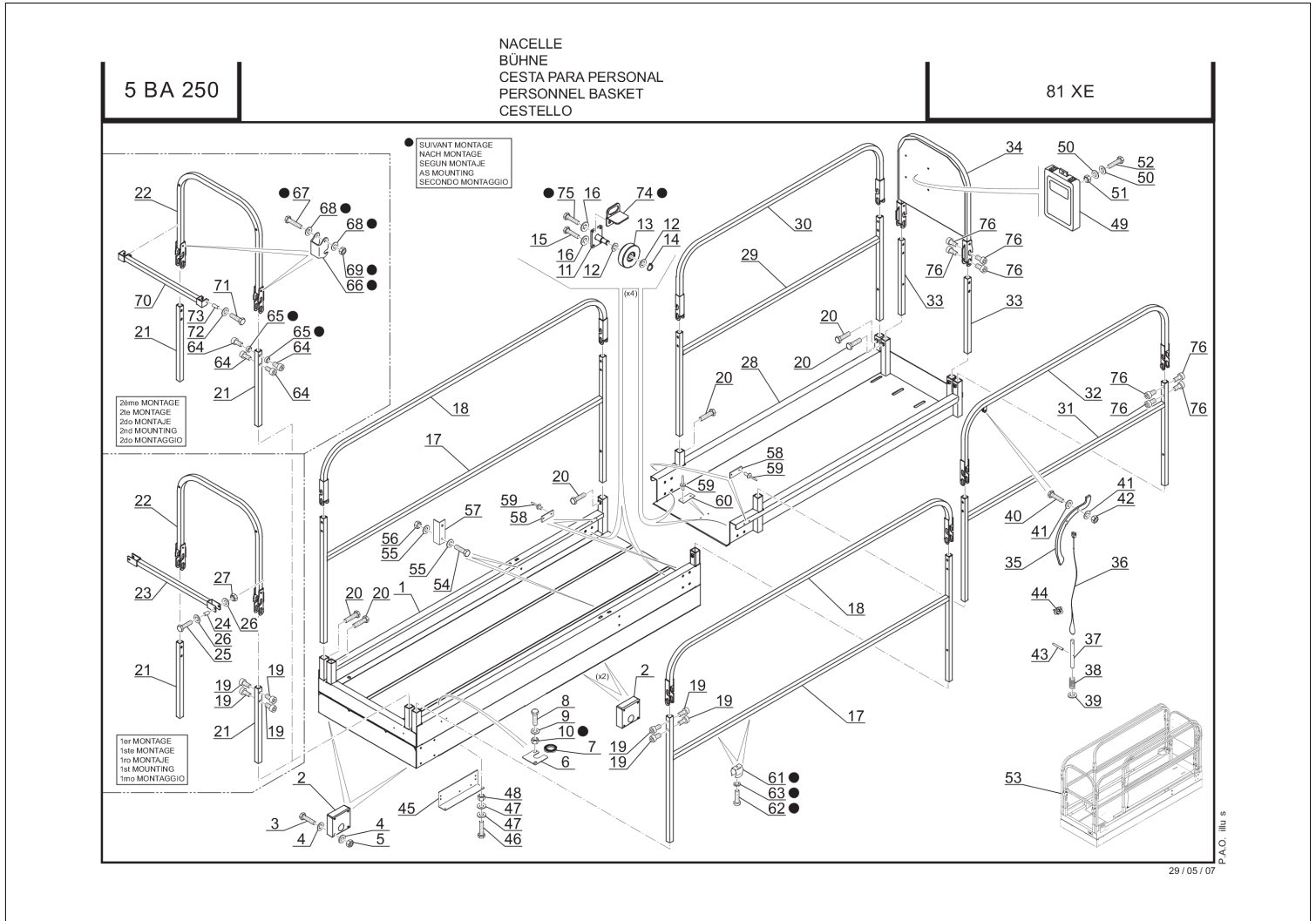


Item	Part No.	Name	Characteristics	Qty	Superseded Part Number	Product Type
1	596880	Frame		1		81 XE
2	596929	Bracket		2		81 XE
3	595836	Washer		2		81 XE
4	595429	Bushing		4		81 XE
5	2637	Circlip		2		81 XE
6	226	Straight greaser		2		81 XE
7	595741	Wheel hub		2		81 XE
8	604504	Washer		2		81 XE
9	604505	Nut		2		81 XE
10	7112	Pin		2		81 XE
11	596923	Connecting rod		1		81 XE
12	61683	Washer	M20 ZN 160HV	2		81 XE
13	596933	Bushing		2		81 XE
14	8038	Pin		2		81 XE
15	596901	Foot rest		1		81 XE
16	55714	Nut	H,FRm10 ZN	4		81 XE
17	29437	Washer	M10 ZN	8		81 XE
18	58535	Screw	H M10-40-8.8-ZN8/C	4		81 XE
19	596633	L.H. bonnet		1		81 XE
20	42347	Screw	H M8-20-8.8-ZN8/C	2		81 XE
21	61674	Washer	M8 ZN	2		81 XE
22	596936	Articulating pin		2		81 XE
23	597169	R.H. bonnet		1		81 XE
24	208234	Locker		1	79567	81 XE
25	198004	Nut	H,FRm 5 ZN	2		81 XE
26	28959	Washer	M5 ZN	2		81 XE
27	184036	screw		2		81 XE
28	518405	Link		1		81 XE
29	9076	Chain (13 Link)		1		81 XE
30	58525	Screw		1		81 XE
31	29469	Washer	M6 ZN	2		81 XE
32	162229	Nut	H,FRm 6 C 8 ZN..C	1		81 XE
33	596605	L.H. stabilizer with bushing		1		81 XE
34	596603	R.H. stabilizer with bushing		1		81 XE

Item	Part No.	Name	Characteristics	Qty	Supersed PartNum ber	Product Type
35	596933	Bushing		4		81 XE
36	596917	Articulating pin		4		81 XE
37	174132	JZC washer	JZC 6 CAD.BICH	4		81 XE
38	25713	Screw	H M6-16-8.8- ZN5/C	4		81 XE
39	596935	Connecting rod with bushing		2		81 XE
40	596934	Bushing		4		81 XE
41	61344	Pin	V 3,2x25 ZN	8		81 XE
42	596631	Washer		8		81 XE
43	596937	Articulating pin		2		81 XE
44	596938	Jib with bushing		2		81 XE
45	44672	Nut Jam		2		81 XE
46	61678	Washer	L12 ZN	4		81 XE
47	29438	Bushing		2		81 XE
48	596251	Pin		2		81 XE
49	210790	Screw		2	21079	81 XE
50	54242	Nut	H,FRm 8 C 8 ZN..C ; INDESSERABLE	2		81 XE
51	61674	Washer	M8 ZN	2		81 XE
52	596956	Spacer		2		81 XE
53	58531	Screw	H M8-50-8.8- ZN8/C	2		81 XE
54	54242	Nut	H,FRm 8 C 8 ZN..C ; INDESSERABLE	2		81 XE
55	677017	Return spring		2		81 XE
56	597111	Spacer		2		81 XE
57	61674	Washer	M8 ZN	4		81 XE
58	6224	Screw	H,M8-40-8.8- ZN8/C	2		81 XE
59	596899	Bush		1		81 XE
60	596948	Spring		1		81 XE
61	596893	Pin		1		81 XE
62	62782	Screw		1		81 XE
63	597912	Guide lever		2		81 XE
66	596895	Plate		1		81 XE
67	203757	Washer		2		81 XE
68	29450	Screw		2		81 XE

Item	Part No.	Name	Characteristics	Qty	Superse ded PartNum ber	Product Type
69	30547	Circlip		2	525015LO C, 107562, 504909, Q20019, 564217, L40740, 484576, 418850, 83437, 161827600 171, 127306, 720515, 554149, A520117, 581862, 961503020 0	81 XE
70	595925	Bushing		2		81 XE
71	595919	Roller		2		81 XE
72	595306	Articulating pin		2		81 XE
73	79568	Hook		1		81 XE
74	198004	Nut	H,FRm 5 ZN	2		81 XE
75	28959	Washer	M5 ZN	2		81 XE
76	184036	screw		2		81 XE
77	596913	Delivery port connection		1		81 XE
78	162229	Nut	H,FRm 6 C 8 ZN..C	2		81 XE
79	29469	Washer	M6 ZN	4		81 XE
80	54305	Screw	H M6-30-8.8- ZN5/C	2		81 XE
81	198004	Nut	H,FRm 5 ZN	4		81 XE
82	28959	Washer	M5 ZN	4		81 XE
83	598480	Screw		4		81 XE
84	597168	L.H. bonnet		1		81 XE
85	58525	Screw		1		81 XE
86	29469	Washer	M6 ZN	2		81 XE
87	594350	Antistatic strap		1	178056	81 XE
88	677520	Complete hinge		2		81 XE
89	184036	screw		4		81 XE
90	56037	Washer		4		81 XE
91	198004	Nut	H,FRm 5 ZN	4		81 XE
92	677525	R.H. bonnet		1		81 XE
93	42347	Screw	H M8-20-8.8- ZN8/C	5		81 XE
94	61674	Washer	M8 ZN	5		81 XE
95	676695	Antistatic strap		1		81 XE

FRAME - BODY

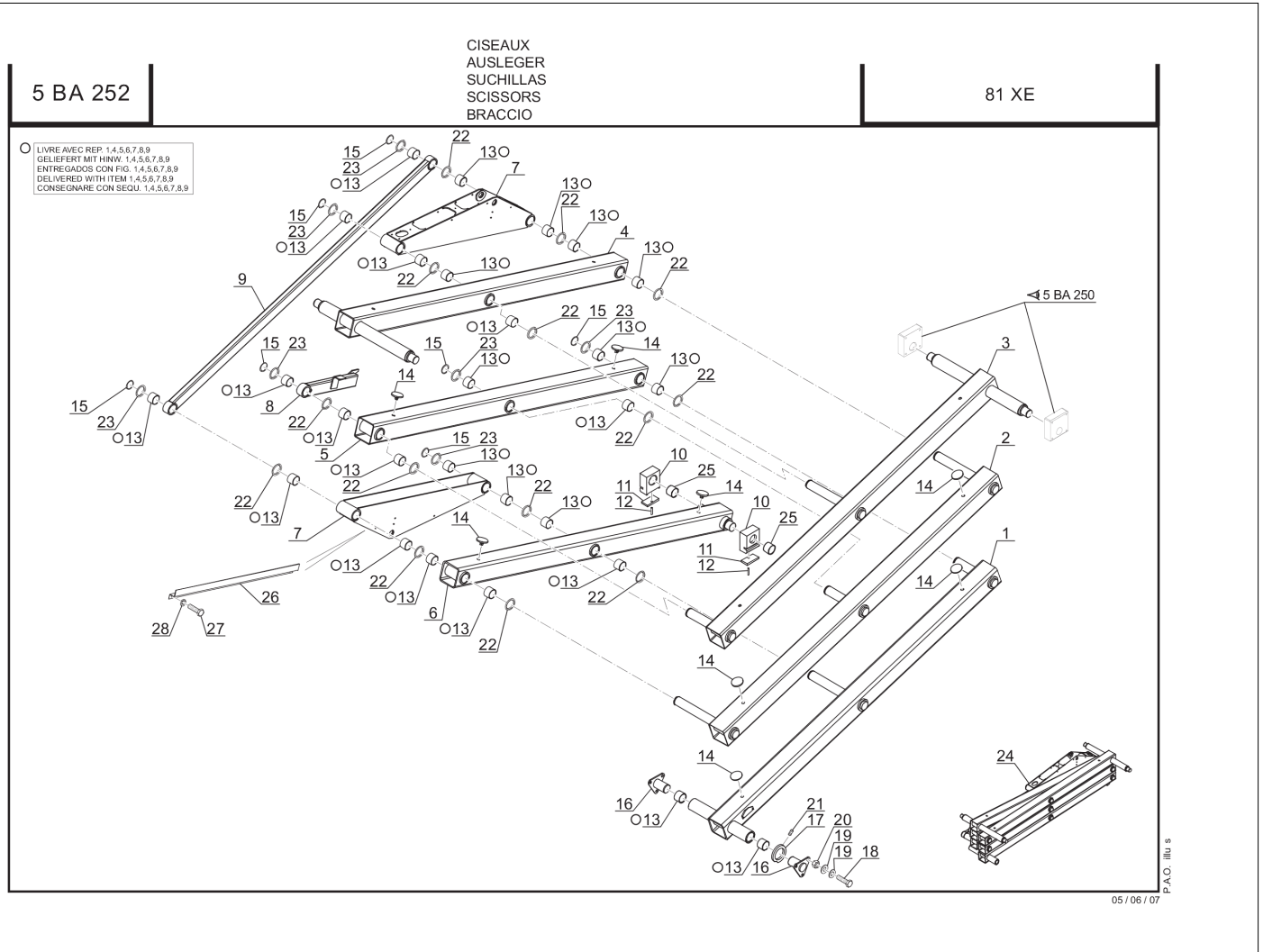


Item	Part No.	Name	Characteristics	Qty	Superse ded PartNum ber	Product Type
1	597187	Plate		1		81 XE
2	596931	Slide block		4		81 XE
3	58533	Screw	H M8-60-8.8- ZN8/C	8		81 XE
4	61674	Washer	M8 ZN	16		81 XE
5	54242	Nut	H,FRm 8 C 8 ZN..C ; INDESSERABLE	8		81 XE
6	596472	Beam retaining plate		1		81 XE
7	596558	Metal edge		1		81 XE
8	4240	Screw	H,M 5- 16/16	2		81 XE
9	28959	Washer	M5 ZN	2		81 XE
10	198004	Nut	H,FRm 5 ZN	2		81 XE
11	597189	Roller bracket		4		81 XE
12	236709	Washer		8		81 XE
13	597511	Roller		4		81 XE
14	41961	Circlip		4	550420	81 XE
15	63727	Screw	H M10-20-8.8- ZN8/C	0		81 XE
16	183026	Washer		16		81 XE
17	597180	Low guardrail		2		81 XE
18	597181	High guardrail		2		81 XE
19	33618	Screw	CHc,M8-10-8.8- ZN8/C	24		81 XE
20	58536	Screw		12	482829	81 XE
21	597492	Gate mounting tube		2	706022	81 XE
22	597191	Rear guardrail		1		81 XE
23	597190	Sliding rail		1		81 XE
24	597493	Spacer		2		81 XE
25	45633	Screw		2		81 XE
26	29437	Washer	M10 ZN	4		81 XE
27	55714	Nut	H,FRm10 ZN	2		81 XE
28	597188	Mobile platform		1		81 XE
29	597520	Low guardrail		1		81 XE
30	597182	High guardrail		1		81 XE
31	597519	Low guardrail		1		81 XE
32	597183	High guardrail		1		81 XE
33	597492	Gate mounting tube		2	706022	81 XE
34	597518	Front guardrail		1		81 XE

Item	Part No.	Name	Characteristics	Qty	Superseded PartNumber	Product Type
35	597504	Handle		1		81 XE
36	597194	Cable		1	597195	81 XE
37	597515	Locking pin		1		81 XE
38	597516	Spring		1		81 XE
39	61680	Washer	M14 ZN	1		81 XE
40	63754	Screw	H M8-30-8.8-ZN8/C	1		81 XE
41	29468	Washer	L8 ZN12C/FE	2		81 XE
42	54242	Nut	H,FRm 8 C 8 ZN..C ; INDESSERABLE	1		81 XE
43	175551	Pin	5 X 25 E	1		81 XE
44	597194	Cable		1	597195	81 XE
45	595642	Housing		1		81 XE
46	25713	Screw	H M6-16-8.8-ZN5/C	2		81 XE
47	29469	Washer	M6 ZN	4		81 XE
48	162229	Nut	H,FRm 6 C 8 ZN..C	2		81 XE
49	420774	Brief-case		1		81 XE
50	29469	Washer	M6 ZN	8		81 XE
51	162229	Nut	H,FRm 6 C 8 ZN..C	4		81 XE
52	25713	Screw	H M6-16-8.8-ZN5/C	4		81 XE
53	596952	Personnel basket		1		81 XE
54	57446	Screw	H M8-25-8.8-ZN8/C	4		81 XE
55	61674	Washer	M8 ZN	8		81 XE
56	54242	Nut	H,FRm 8 C 8 ZN..C ; INDESSERABLE	4		81 XE
57	597507	Stop		2		81 XE
58	597513	Slide block		4		81 XE
59	163658	Rivet	D3,2x8	0		81 XE
60	597514	Slide block		2		81 XE
61	171090	Clip		2		81 XE
62	57709	Screw		2		81 XE
63	29483	Washer	W5 ZN	2		81 XE
64	33618	Screw	CHc,M8-10-8.8-ZN8/C	8		81 XE
65	683292	Spacer		4		81 XE
66	683290	Locker		2		81 XE

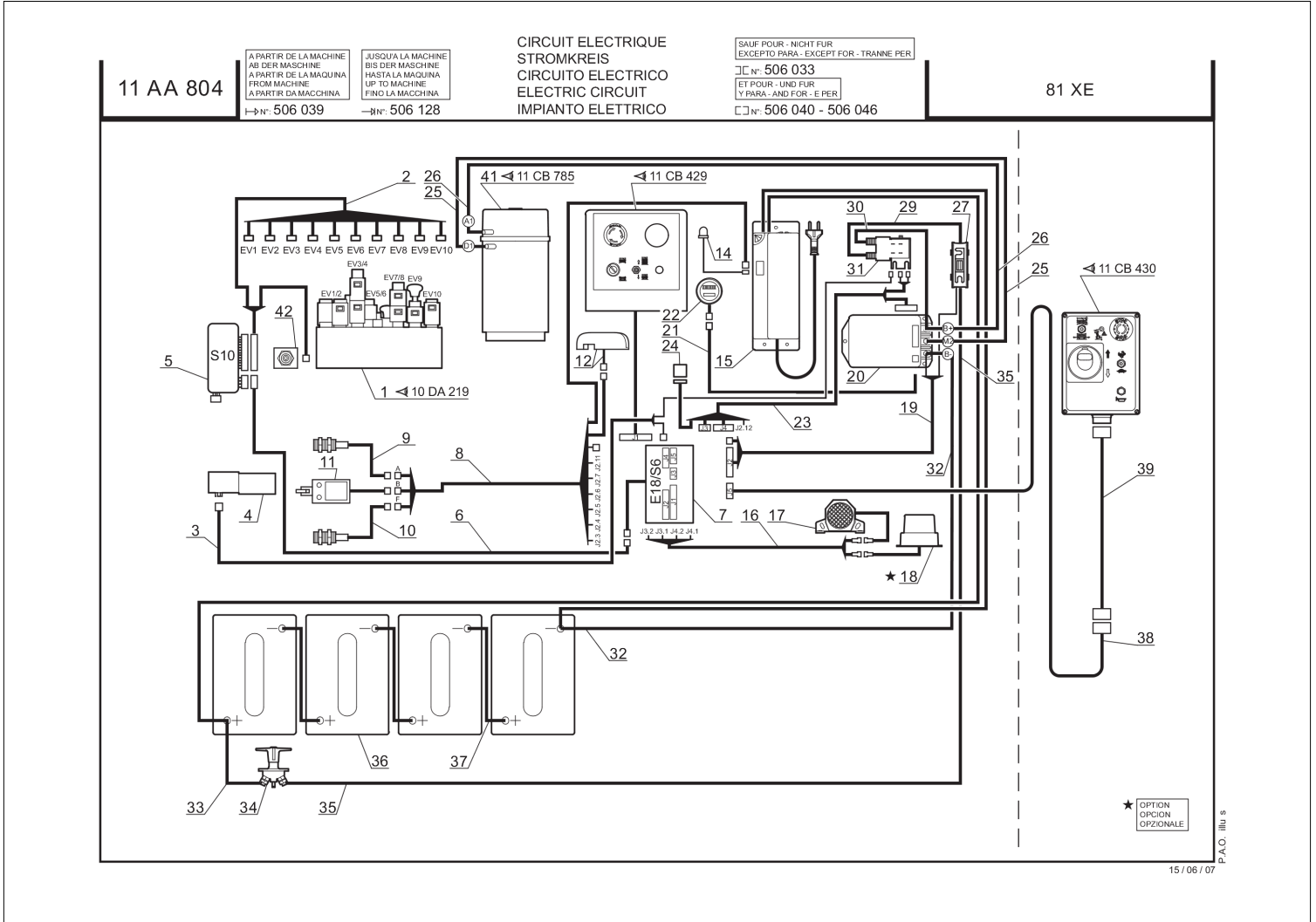
Item	Part No.	Name	Characteristics	Qty	Superse ded PartNum ber	Product Type
67	58533	Screw	H M8-60-8.8- ZN8/C	2		81 XE
68	29468	Washer	L8 ZN12C/FE	4		81 XE
69	54242	Nut	H,FRm 8 C 8 ZN..C ; INDESSERABLE	2		81 XE
70	676995	Sliding rail		1		81 XE
71	31003	Screw		2		81 XE
72	29437	Washer	M10 ZN	2		81 XE
73	683584	Spacer		2		81 XE
74	683585	Locking plate		2		81 XE
75	5804	Screw	H,M10- 25-8.8- ZN8/C	0		81 XE
76	1574	Screw		24		81 XE

FRAME - BODY



Item	Part No.	Name	Characteristics	Qty	Superseded PartNumber	Product Type
1	595694	Tube 1D with bushing		1		81 XE
2	595696	Tube 2D		1		81 XE
3	595698	Tube 3D		1		81 XE
4	595697	Tube 3G with bushing		1		81 XE
5	595695	Tube 2G with bushing		1		81 XE
6	595693	Tube 1G with bushing		1		81 XE
7	595710	Cylinder bracket with bushing		2		81 XE
8	595715	Jib with bushing		1		81 XE
9	595714	Tie bar with bushing		1		81 XE
10	596844	Slide block		2		81 XE
11	596843	Plate		2		81 XE
12	19912	Pin		2		81 XE
13	595030	Bushing		0		81 XE
14	595379	Rubber stop		8		81 XE
15	192212	Circlip		7		81 XE
16	595720	Bearing		2		81 XE
17	595740	Cam		1		81 XE
18	58557	Screw,M14-2 X 40 Hex Head		6		81 XE
19	61680	Washer	M14 ZN	12		81 XE
20	403911	Nut		6		81 XE
21	684799	Screw		1		81 XE
22	230289	Washer		14		81 XE
23	596383	Washer		7		81 XE
24	595705	Scissors		1		81 XE
25	595030	Bushing		2		81 XE
26	595719	Wiring harness bracket		1		81 XE
27	25713	Screw	H M6-16-8.8-ZN5/C	2		81 XE
28	42316	Washer	W6 ZN	2		81 XE

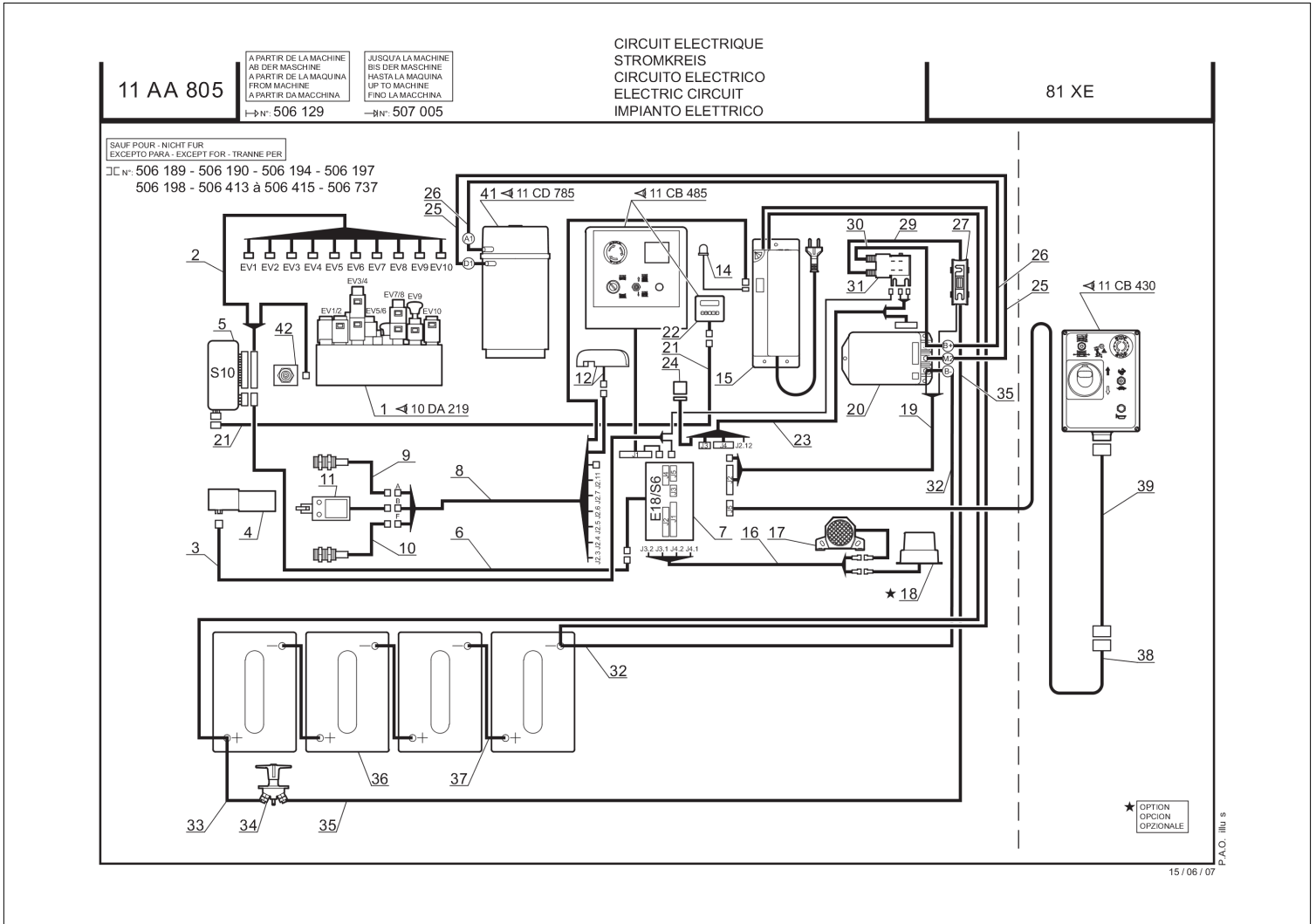
REMOTE CONTROL UNIT



Item	Part No.	Name	Characteristics	Qty	Superseded Part Number	Product Type
1	596349	Valve bank		1		81 XE
2	677619	Valve bank wiring harness		1		81 XE
3	677620	Electrovalve wiring harness		1		81 XE
4	596459	Relief valve block		1		81 XE
5	596376	Electronic modulus S10		1		81 XE
6	596367	Wiring harness (Modulus E18-S6/Modulus S10)		1		81 XE
7	685907	Modulus		1	596377	81 XE
8	596369	Safety system switch wiring harness		1		81 XE
9	596384	Switch (L.H. Stabilizer) with wiring harness		1		81 XE
10	596356	Switch (R.H. Stabilizer) with wiring harness		1		81 XE
11	597464	Switch (Scissors) with wiring harness		1		81 XE
12	683092	Tilting switch with wiring harness		1		81 XE
14	597112	Warning light with wiring harness		1		81 XE
15	597101	Battery charger		1		81 XE
16	596357	Wiring harness (Horn+Flashing light)		1		81 XE
17	597461	Horn		1		81 XE
18	554947	Flashing light		1		81 XE
19	596358	Power supply wiring harness		1		81 XE
20	596932	Variable speed unit		1		81 XE
21	596368	Wiring harness (Hour recorder/Modulus S10)		1		81 XE
22	596392	Hour recorder		1		81 XE
23	596362	Wiring harness (Variable speed unit/modulus E18-S6)		1		81 XE
24	604518	Relay		1		81 XE
25	597454	Wiring harness (Variable speed unit M2/Pump motor D1)		1		81 XE
26	597451	Wiring harness (Variable speed unit B+/Pump motor A1)		1		81 XE
27	595390	Fuse holder		1		81 XE
29	597450	Wiring harness (Fuse holder/Switch power relay)		1		81 XE

Item	Part No.	Name	Characteristics	Qty	Superse ded PartNum ber	Product Type
30	597453	Wiring harness (Variable speed unit B+/Switch power relay)		1		81 XE
31	595942	Switch power relay		1		81 XE
32	597452	Wiring harness (- Battery/Variable speed unit B-)		1		81 XE
33	597448	Wiring harness (+Battery/Breaker circuit)		1		81 XE
34	518230	Breaker circuit		1		81 XE
35	597449	Wiring harness (Breaker circuit/Fuse holder)		1		81 XE
36	595255	Battery		4		81 XE
37	595847	Wiring harness (+Battery/-Battery)		3		81 XE
38	596363	Wiring harness (Modulus E18-S6/Connector)		1		81 XE
39	597629	Wiring harness (Intermediate connector/Personnel basket cont		1		81 XE
41	592830	Principal pump motor		1		81 XE
42	597671	Hydraulic bloc		1		81 XE

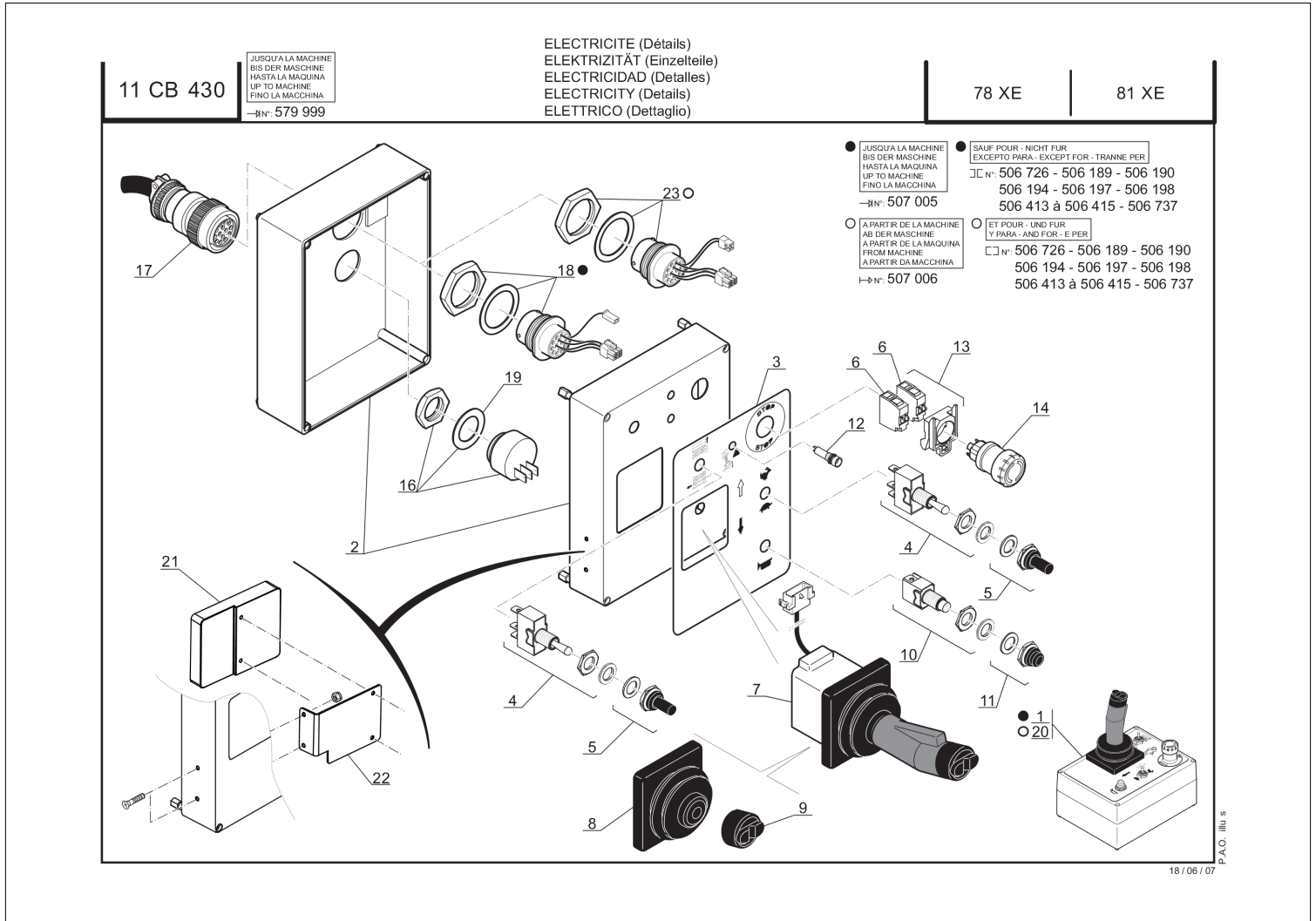
REMOTE CONTROL UNIT



Item	Part No.	Name	Characteristics	Qty	Superse ded PartNum ber	Product Type
1	596349	Valve bank		1		81 XE
2	677619	Valve bank wiring harness		1		81 XE
3	677620	Electrovalve wiring harness		1		81 XE
4	596459	Relief valve block		1		81 XE
5	596376	Electronic modulus S10		1		81 XE
6	596367	Wiring harness (Modulus E18-S6/Modulus S10)		1		81 XE
7	685907	Modulus		1	596377	81 XE
8	596369	Safety system switch wiring harness		1		81 XE
9	596384	Switch (L.H. Stabilizer) with wiring harness		1		81 XE
10	596356	Switch (R.H. Stabilizer) with wiring harness		1		81 XE
11	597464	Switch (Scissors) with wiring harness		1		81 XE
12	683092	Tilting switch with wiring harness		1		81 XE
14	597112	Warning light with wiring harness		1		81 XE
15	597101	Battery charger		1		81 XE
16	596357	Wiring harness (Horn+Flashing light)		1		81 XE
17	597461	Horn		1		81 XE
18	554947	Flashing light		1		81 XE
19	596358	Power supply wiring harness		1		81 XE
20	596932	Variable speed unit		1		81 XE
21	597437	Wiring harness (Electronic modulus)		1		81 XE
22	597435	Electronic modulus		1		81 XE
23	677621	Wiring harness (Variable speed unit/modulus E18-S6)		1		81 XE
24	604518	Relay		1		81 XE
25	597454	Wiring harness (Variable speed unit M2/Pump motor D1)		1		81 XE
26	597451	Wiring harness (Variable speed unit B+/Pump motor A1)		1		81 XE
27	595390	Fuse holder		1		81 XE
29	597450	Wiring harness (Fuse holder/Switch power relay)		1		81 XE

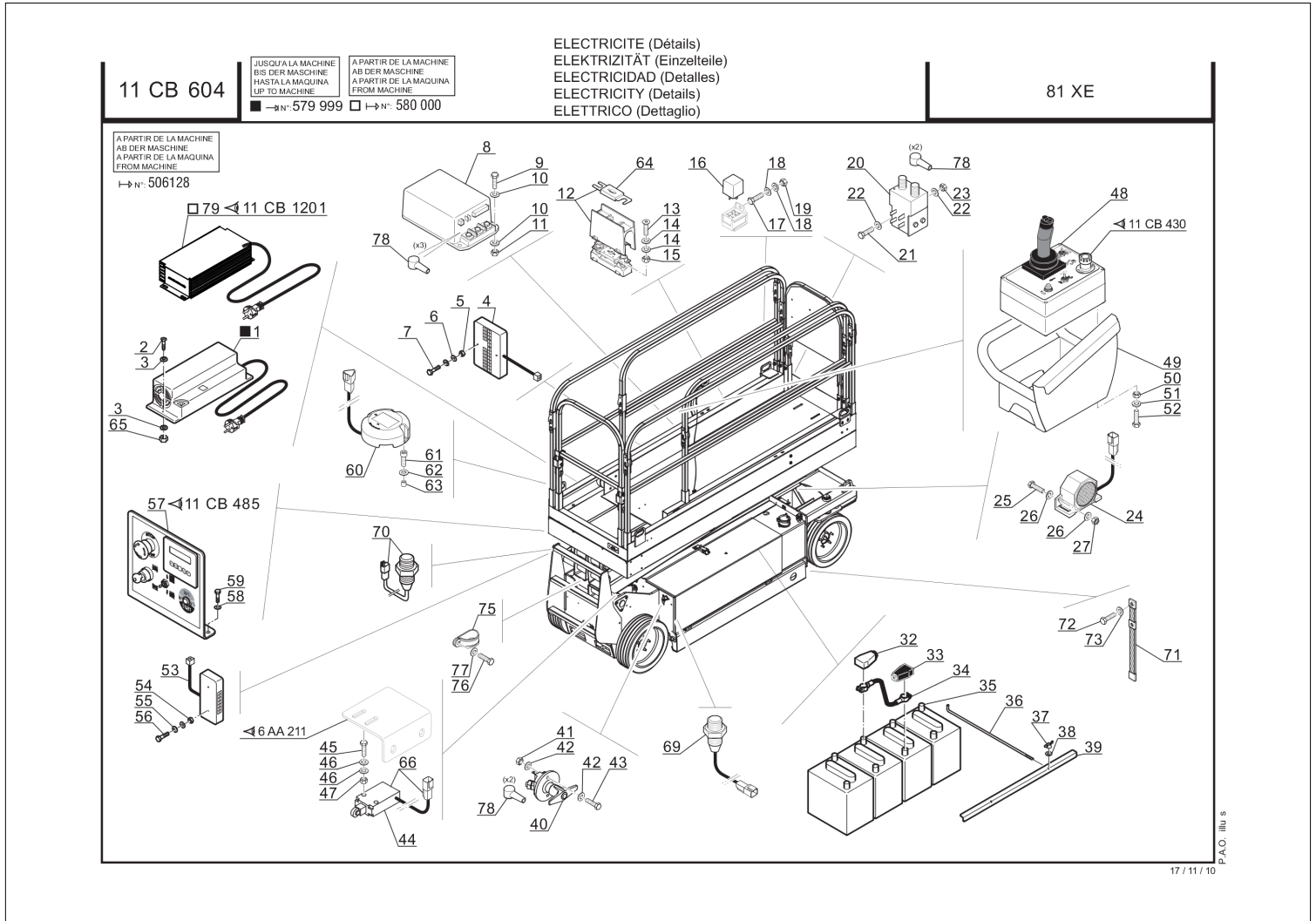
Item	Part No.	Name	Characteristics	Qty	Superse ded PartNum ber	Product Type
30	597453	Wiring harness (Variable speed unit B+/Switch power relay)		1		81 XE
31	595942	Switch power relay		1		81 XE
32	597452	Wiring harness (- Battery/Variable speed unit B-)		1		81 XE
33	597448	Wiring harness (+Battery/Breaker circuit)		1		81 XE
34	518230	Breaker circuit		1		81 XE
35	597449	Wiring harness (Breaker circuit/Fuse holder)		1		81 XE
36	595255	Battery		4		81 XE
37	595847	Wiring harness (+Battery/-Battery)		3		81 XE
38	596363	Wiring harness (Modulus E18-S6/Connector)		1		81 XE
39	597629	Wiring harness (Intermediate connector/Personnel basket cont		1		81 XE
41	592830	Principal pump motor		1		81 XE
42	597671	Hydraulic bloc		1		81 XE

REMOTE CONTROL UNIT



Item	Part No.	Name	Characteristics	Qty	Superse ded PartNum ber	Product Type
1	597632	Complete control console (Basket)		1		81 XE
2	683708	Unequipped console		1	597633	81 XE
3	597475	Serigraphy front basket console		1		81 XE
4	604519	Switch		2		81 XE
5	603149	Cap		2	604368, 602223	81 XE
6	603362	Switch		2		81 XE
7	679253	Remote control unit		1	685705, 830250	81 XE
8	661606	Bellows		1		81 XE
9	661607	Cap		1		81 XE
10	604520	Push button		1		81 XE
11	604521	Cap		1		81 XE
12	604522	Diode		1		81 XE
13	247078	Switch + base plate		1		81 XE
14	947178	BUTTON		1	603361	81 XE
16	561862	Buzzer		1	562206	81 XE
17	597629	Wiring harness (Intermediate connector/Personnel basket cont		1		81 XE
18	597636	Complete connector wiring harness		1		81 XE
19	602825	Seal		1		81 XE
20	894571	INSTRUMENT PANEL		1	678128	81 XE
21	685906	Modulus		1	241513	81 XE
22	685905	Sheat		1		81 XE
23	832414	Complete connector wiring harness		1		81 XE

REMOTE CONTROL UNIT

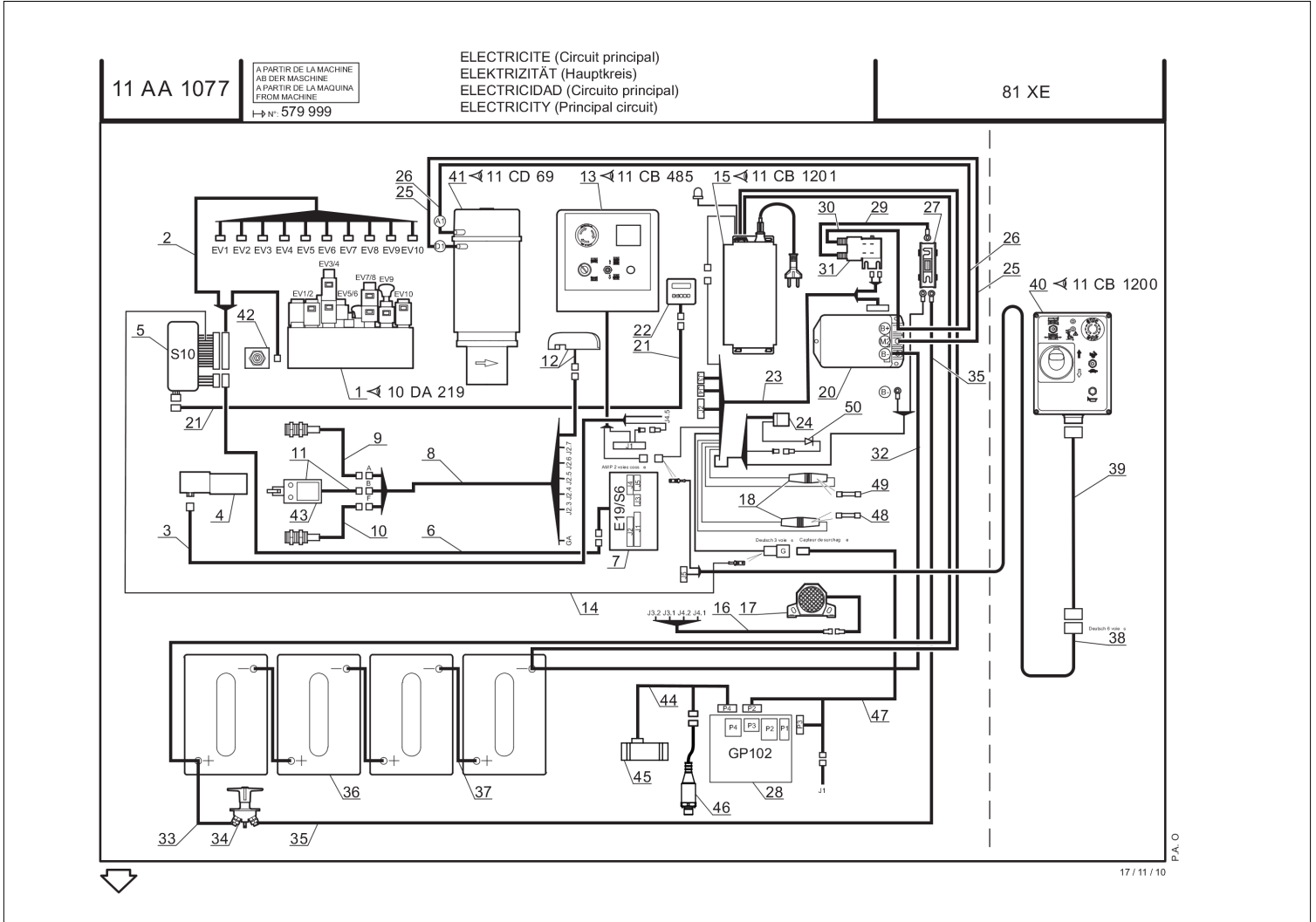


Item	Part No.	Name	Characteristics	Qty	Superse ded PartNum ber	Product Type
1	597101	Battery charger		1		81 XE
2	205275	Black screw	CBHc,M6-20-10.9-ZN5	3		81 XE
3	29469	Washer	M6 ZN	6		81 XE
4	685907	Modulus		1	596377	81 XE
5	175921	Nut	H,M 3 ZN	2		81 XE
6	459747	Washer		4		81 XE
7	596397	Screw		2		81 XE
8	596932	Variable speed unit		1		81 XE
9	46668	Screw	H M6-20-8.8-ZN5/C	3		81 XE
10	29469	Washer	M6 ZN	6		81 XE
11	162229	Nut	H,FRm 6 C 8 ZN..C	3		81 XE
12	595390	Fuse holder		1		81 XE
13	191113	Screw		2		81 XE
14	28988	Washer	M4 ZN	2		81 XE
15	485980	Nut	H,FRm 4 C 8 ZN	2		81 XE
16	604518	Relay		1		81 XE
17	198004	Nut	H,FRm 5 ZN	1		81 XE
18	28959	Washer	M5 ZN	2		81 XE
19	54230	Screw		1		81 XE
20	595942	Switch power relay		1		81 XE
21	46668	Screw	H M6-20-8.8-ZN5/C	2		81 XE
22	29469	Washer	M6 ZN	4		81 XE
23	162229	Nut	H,FRm 6 C 8 ZN..C	2		81 XE
24	597461	Horn		1		81 XE
25	46668	Screw	H M6-20-8.8-ZN5/C	2		81 XE
26	29469	Washer	M6 ZN	4		81 XE
27	162229	Nut	H,FRm 6 C 8 ZN..C	2		81 XE
32	177012	Cap (red)		4		81 XE
33	177013	Cap (black)		4		81 XE
34	595847	Wiring harness (+Battery/-Battery)		3		81 XE
35	595255	Battery		4		81 XE
36	595566	Rod		2		81 XE
37	2435	Fly nut		2		81 XE

Item	Part No.	Name	Characteristics	Qty	Superseded PartNumber	Product Type
38	29469	Washer	M6 ZN	2		81 XE
39	595567	Stop plate		1		81 XE
40	518230	Breaker circuit		1		81 XE
41	162229	Nut	H,FRm 6 C 8 ZN..C	2		81 XE
42	29469	Washer	M6 ZN	4		81 XE
43	58525	Screw		2		81 XE
44	597464	Switch (Scissors) with wiring harness		1		81 XE
45	58522	Screw		2		81 XE
46	28988	Washer	M4 ZN	4		81 XE
47	485980	Nut	H,FRm 4 C 8 ZN	2		81 XE
48	683708	Unequipped console		1	597633	81 XE
49	597125	Bracket		1		81 XE
50	485980	Nut	H,FRm 4 C 8 ZN	4		81 XE
51	28988	Washer	M4 ZN	4		81 XE
52	57771	Screw		4		81 XE
53	596376	Electronic modulus S10		1		81 XE
54	175921	Nut	H,M 3 ZN	2		81 XE
55	459747	Washer		4		81 XE
56	596397	Screw		2		81 XE
57	768641	Complete control console (Ground)		1		81 XE
58	42316	Washer	W6 ZN	2		81 XE
59	46668	Screw	H M6-20-8.8-ZN5/C	2		81 XE
60	683092	Tilting switch with wiring harness		1		81 XE
61	679913	Screw		3		81 XE
62	28959	Washer	M5 ZN	3		81 XE
63	679912	Spacer		3		81 XE
64	597286	Fuse		1		81 XE
65	162229	Nut	H,FRm 6 C 8 ZN..C	3		81 XE
66	744757	Sensor		1	681113, 506936	81 XE
69	596356	Switch (R.H. Stabilizer) with wiring harness		1		81 XE
70	596384	Switch (L.H. Stabilizer) with wiring harness		1		81 XE
71	676695	Antistatic strap		1		81 XE
72	58525	Screw		1		81 XE

Item	Part No.	Name	Characteristics	Qty	Superse ded PartNum ber	Product Type
73	29469	Washer	M6 ZN	2		81 XE
75	175751	Clamp		4		81 XE
76	46668	Screw	H M6-20-8.8- ZN5/C	2		81 XE
77	174132	JZC washer	JZC 6 CAD.BICH	2		81 XE
78	594290	Cap		7		81 XE
79	832866	BATTERY CHARGER		1	768575	81 XE

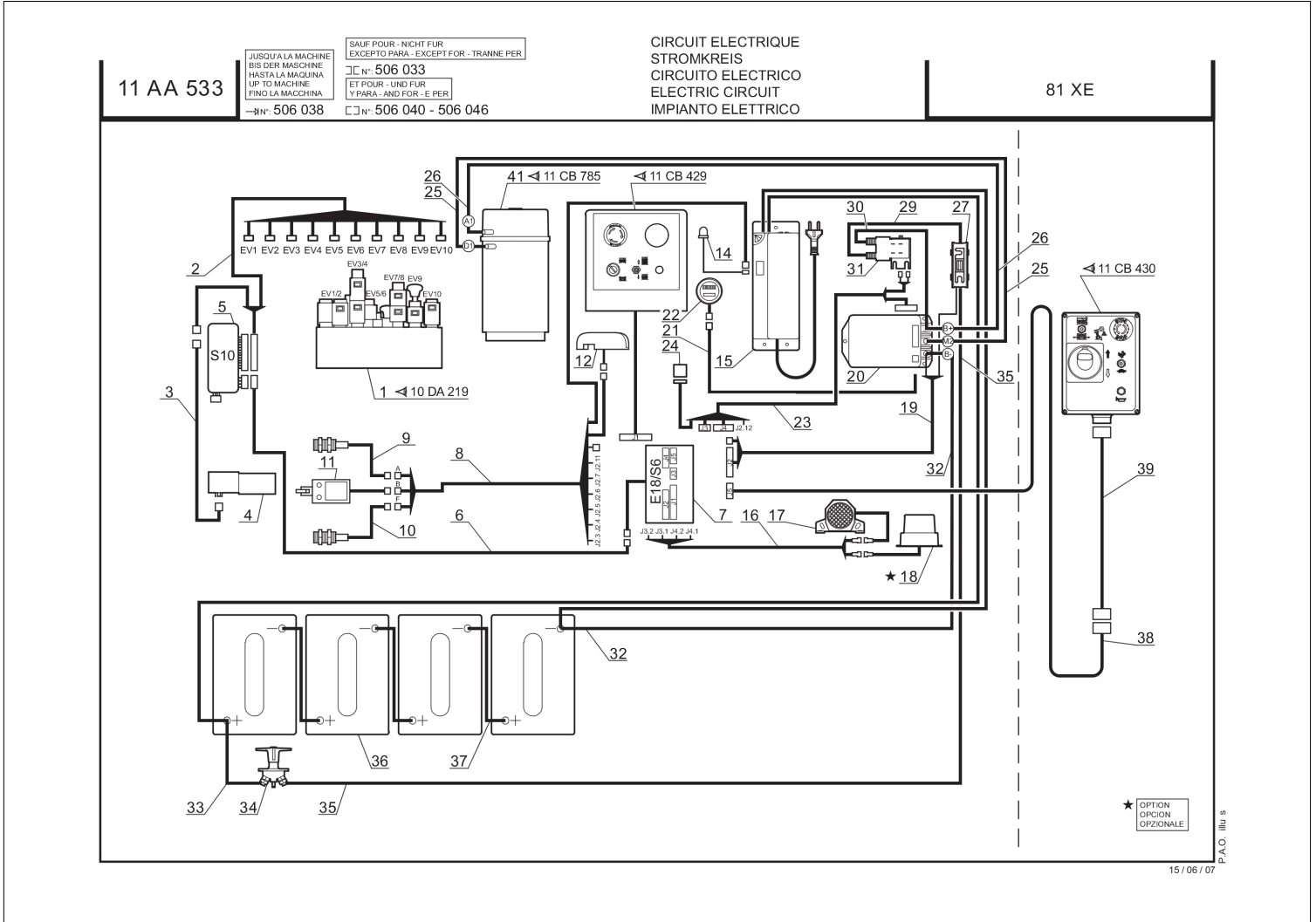
_CIRCUIT - HARNESS



Item	Part No.	Name	Characteristics	Qty	Superseded Part Number	Product Type
1	596349	Valve bank		1		81 XE
2	677619	Valve bank wiring harness		1		81 XE
3	677620	Electrovalve wiring harness		1		81 XE
4	596459	Relief valve block		1		81 XE
5	596376	Electronic modulus S10		1		81 XE
6	596367	Wiring harness (Modulus E18-S6/Modulus S10)		1		81 XE
7	685907	Modulus		1	596377	81 XE
8	596369	Safety system switch wiring harness		1		81 XE
9	596384	Switch (L.H. Stabilizer) with wiring harness		1		81 XE
10	596356	Switch (R.H. Stabilizer) with wiring harness		1		81 XE
11	597464	Switch (Scissors) with wiring harness		1		81 XE
12	683092	Tilting switch with wiring harness		1		81 XE
13	768641	Complete control console (Ground)		1		81 XE
14	684834	*		1		81 XE
15	832866	BATTERY CHARGER		1	768575	81 XE
16	596357	Wiring harness (Horn+Flashing light)		1		81 XE
17	597461	Horn		1		81 XE
18	604369	Fuse holder		2		81 XE
19	596358	Power supply wiring harness		1		81 XE
20	596932	Variable speed unit		1		81 XE
21	597437	Wiring harness (Electronic modulus)		1		81 XE
22	597435	Electronic modulus		1		81 XE
23	677621	Wiring harness (Variable speed unit/modulus E18-S6)		1		81 XE
24	604518	Relay		1		81 XE
25	597454	Wiring harness (Variable speed unit M2/Pump motor D1)		1		81 XE
26	597451	Wiring harness (Variable speed unit B+/Pump motor A1)		1		81 XE
27	595390	Fuse holder		1		81 XE
28	683508	*		1		81 XE

Item	Part No.	Name	Characteristics	Qty	Superse ded PartNum ber	Product Type
29	597450	Wiring harness (Fuse holder/Switch power relay)		1		81 XE
30	597453	Wiring harness (Variable speed unit B+/Switch power relay)		1		81 XE
31	595942	Switch power relay		1		81 XE
32	597452	Wiring harness (- Battery/Variable speed unit B-)		1		81 XE
33	597448	Wiring harness (+Battery/Breaker circuit)		1		81 XE
34	518230	Breaker circuit		1		81 XE
35	597449	Wiring harness (Breaker circuit/Fuse holder)		1		81 XE
36	595255	Battery		4		81 XE
37	595847	Wiring harness (+Battery/-Battery)		3		81 XE
38	596363	Wiring harness (Modulus E18-S6/Connector)		1		81 XE
39	597629	Wiring harness (Intermediate connector/Personnel basket cont		1		81 XE
40	894581	INSTRUMENT PANEL		1	685901	81 XE
41	592830	Principal pump motor		1		81 XE
42	597671	Hydraulic bloc		1		81 XE
43	795199	Switch		1		81 XE
44	684174	Wiring harness		1		81 XE
45	683509	*		1		81 XE
46	683179	Low pressure		1		81 XE
47	684395	*		1		81 XE
48	562122	Fuse		1		81 XE
49	203424	Fuse		1		81 XE
50	561871	Diode		1		81 XE

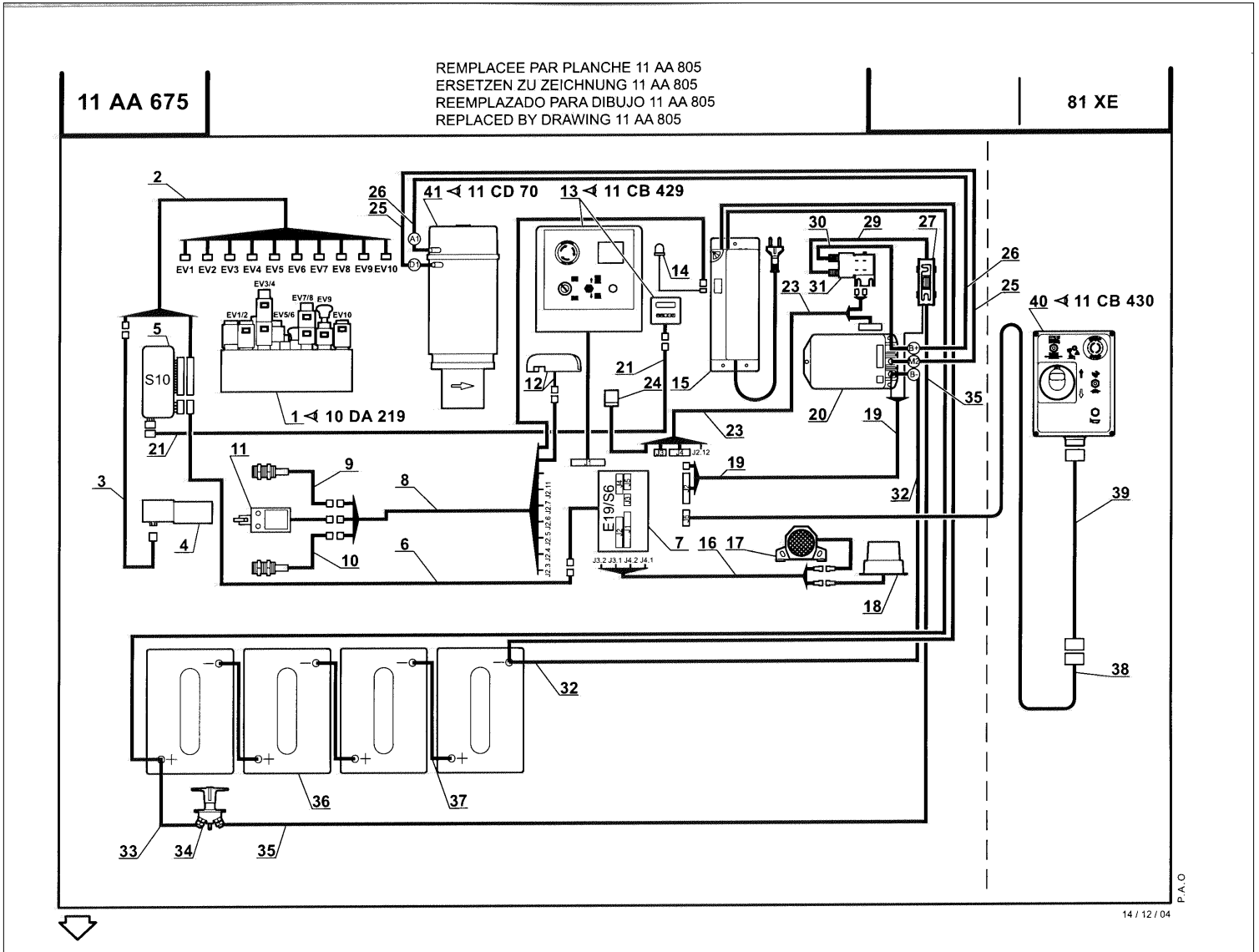
_CIRCUIT - HARNESS



Item	Part No.	Name	Characteristics	Qty	Superseded Part Number	Product Type
1	596349	Valve bank		1		81 XE
2	596360	Valve bank wiring harness		1		81 XE
3	596361	Electrovalve wiring harness		1		81 XE
4	596459	Relief valve block		1		81 XE
5	596376	Electronic modulus S10		1		81 XE
6	596367	Wiring harness (Modulus E18-S6/Modulus S10)		1		81 XE
7	685907	Modulus		1	596377	81 XE
8	596369	Safety system switch wiring harness		1		81 XE
9	596384	Switch (L.H. Stabilizer) with wiring harness		1		81 XE
10	596356	Switch (R.H. Stabilizer) with wiring harness		1		81 XE
11	597464	Switch (Scissors) with wiring harness		1		81 XE
12	683092	Tilting switch with wiring harness		1		81 XE
14	597112	Warning light with wiring harness		1		81 XE
15	597101	Battery charger		1		81 XE
16	596357	Wiring harness (Horn+Flashing light)		1		81 XE
17	597461	Horn		1		81 XE
18	554947	Flashing light		1		81 XE
19	596358	Power supply wiring harness		1		81 XE
20	596932	Variable speed unit		1		81 XE
21	596368	Wiring harness (Hour recorder/Modulus S10)		1		81 XE
22	596392	Hour recorder		1		81 XE
23	596362	Wiring harness (Variable speed unit/modulus E18-S6)		1		81 XE
24	604518	Relay		1		81 XE
25	597454	Wiring harness (Variable speed unit M2/Pump motor D1)		1		81 XE
26	597451	Wiring harness (Variable speed unit B+/Pump motor A1)		1		81 XE
27	595390	Fuse holder		1		81 XE
29	597450	Wiring harness (Fuse holder/Switch power relay)		1		81 XE

Item	Part No.	Name	Characteristics	Qty	Superse ded PartNum ber	Product Type
30	597453	Wiring harness (Variable speed unit B+/Switch power relay)		1		81 XE
31	595942	Switch power relay		1		81 XE
32	597452	Wiring harness (- Battery/Variable speed unit B-)		1		81 XE
33	597448	Wiring harness (+Battery/Breaker circuit)		1		81 XE
34	518230	Breaker circuit		1		81 XE
35	597449	Wiring harness (Breaker circuit/Fuse holder)		1		81 XE
36	595255	Battery		4		81 XE
37	595847	Wiring harness (+Battery/-Battery)		3		81 XE
38	596363	Wiring harness (Modulus E18-S6/Connector)		1		81 XE
39	597629	Wiring harness (Intermediate connector/Personnel basket cont		1		81 XE
41	592830	Principal pump motor		1		81 XE

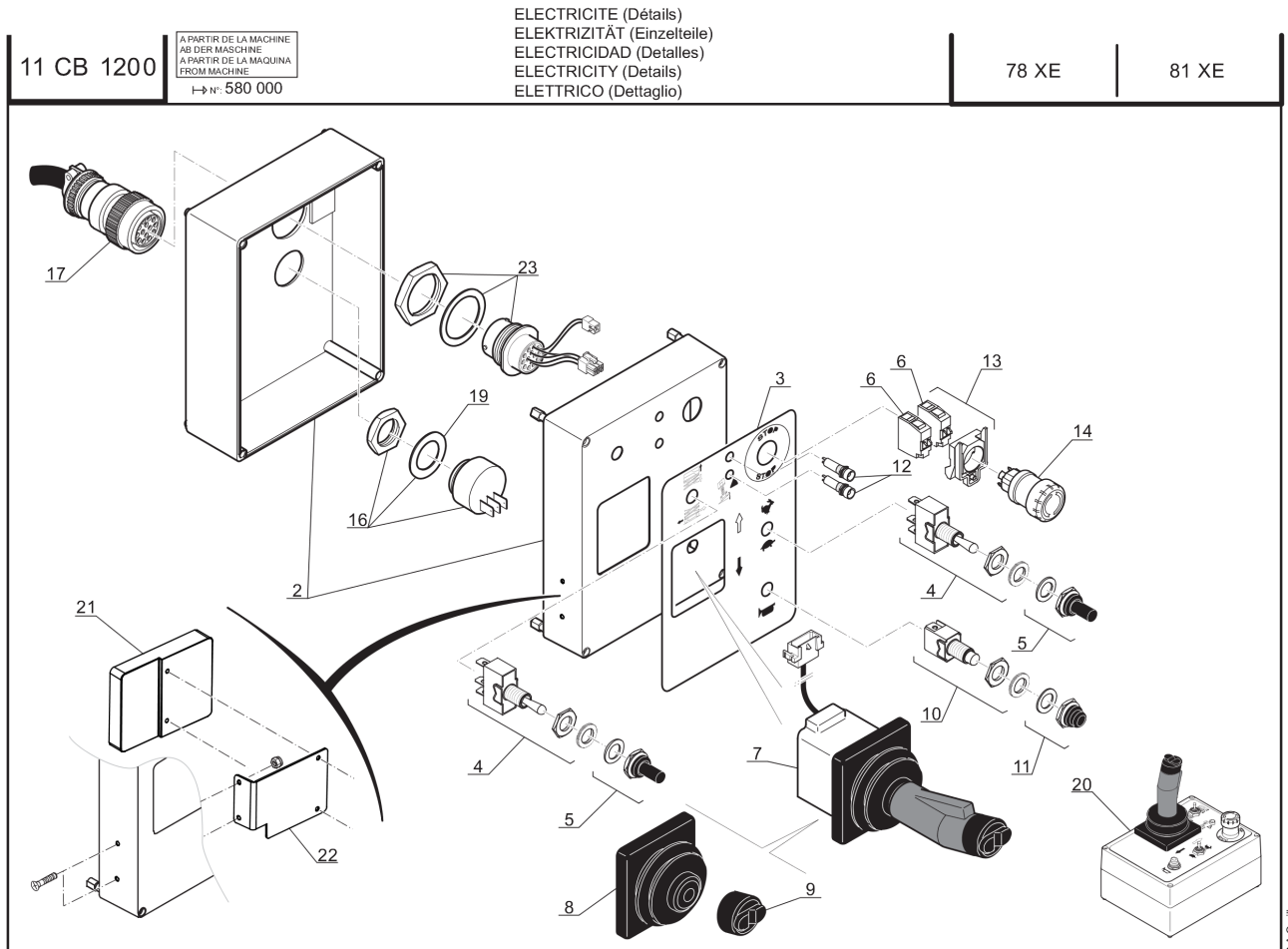
_CIRCUIT - HARNESS



Item	Part No.	Name	Characteristics	Qty	Superseded Part Number	Product Type
1	596349	Valve bank		1		81 XE
2	596360	Valve bank wiring harness		1		81 XE
3	596361	Electrovalve wiring harness		1		81 XE
4	596459	Relief valve block		1		81 XE
5	596376	Electronic modulus S10		1		81 XE
6	596367	Wiring harness (Modulus E18-S6/Modulus S10)		1		81 XE
7	685907	Modulus		1	596377	81 XE
8	596369	Safety system switch wiring harness		1		81 XE
9	596384	Switch (L.H. Stabilizer) with wiring harness		1		81 XE
10	596356	Switch (R.H. Stabilizer) with wiring harness		1		81 XE
11	597464	Switch (Scissors) with wiring harness		1		81 XE
12	676458	Tilting switch with wiring harness		1	598102	81 XE
14	597112	Warning light with wiring harness		1		81 XE
15	597101	Battery charger		1		81 XE
16	596357	Wiring harness (Horn+Flashing light)		1		81 XE
17	597461	Horn		1		81 XE
18	554947	Flashing light		1		81 XE
19	596358	Power supply wiring harness		1		81 XE
20	596932	Variable speed unit		1		81 XE
21	597437	Wiring harness (Electronic modulus)		1		81 XE
22	597435	Electronic modulus		1		81 XE
23	596362	Wiring harness (Variable speed unit/modulus E18-S6)		1		81 XE
24	604518	Relay		1		81 XE
25	597454	Wiring harness (Variable speed unit M2/Pump motor D1)		1		81 XE
26	597451	Wiring harness (Variable speed unit B+/Pump motor A1)		1		81 XE
27	595390	Fuse holder		1		81 XE
28	597286	Fuse		1		81 XE
29	597450	Wiring harness (Fuse holder/Switch power relay)		1		81 XE

Item	Part No.	Name	Characteristics	Qty	Superse ded PartNum ber	Product Type
30	597453	Wiring harness (Variable speed unit B+/Switch power relay)		1		81 XE
31	595942	Switch power relay		1		81 XE
32	597452	Wiring harness (- Battery/Variable speed unit B-)		1		81 XE
33	597448	Wiring harness (+Battery/Breaker circuit)		1		81 XE
34	518230	Breaker circuit		1		81 XE
35	597449	Wiring harness (Breaker circuit/Fuse holder)		1		81 XE
36	595255	Battery		4		81 XE
37	595847	Wiring harness (+Battery/-Battery)		3		81 XE
38	596363	Wiring harness (Modulus E18-S6/Connector)		1		81 XE
39	597629	Wiring harness (Intermediate connector/Personnel basket cont		1		81 XE
40	596364	Complete control console (Basket)		1		81 XE
41	592380	Electric motor		1		81 XE

_CIRCUIT - HARNESS



11 CB 1200

A PARTIR DE LA MACHINE
AB DER MASCHINE
A PARTIR DE LA MAQUINA
FROM MACHINE
→ N°: 580 000

ELECTRICITE (Détails)
ELEKTRIZITÄT (Einzelteile)
ELECTRICIDAD (Detalles)
ELECTRICITY (Details)
ELETRICO (Dettaglio)

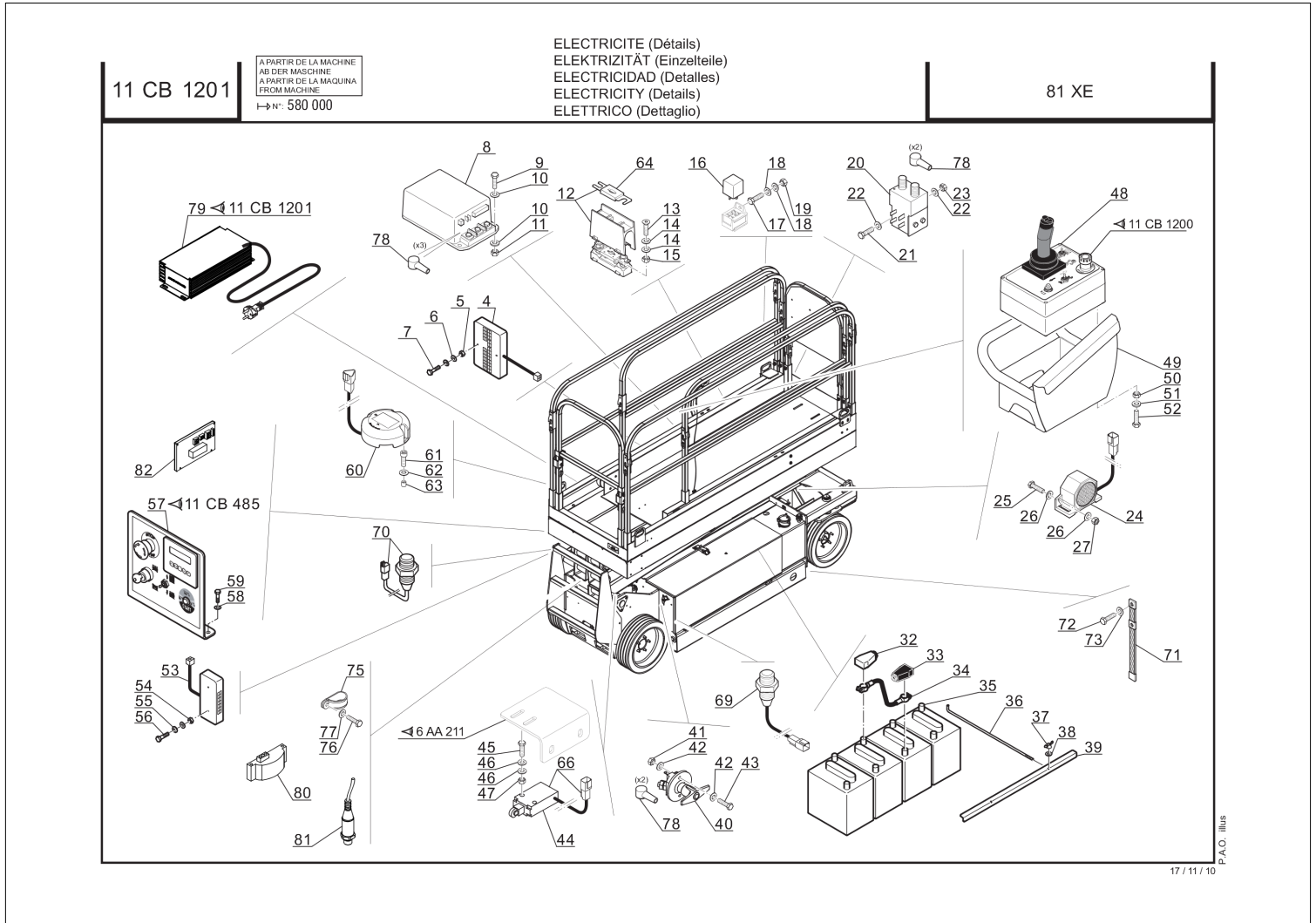
78 XE

81 XE

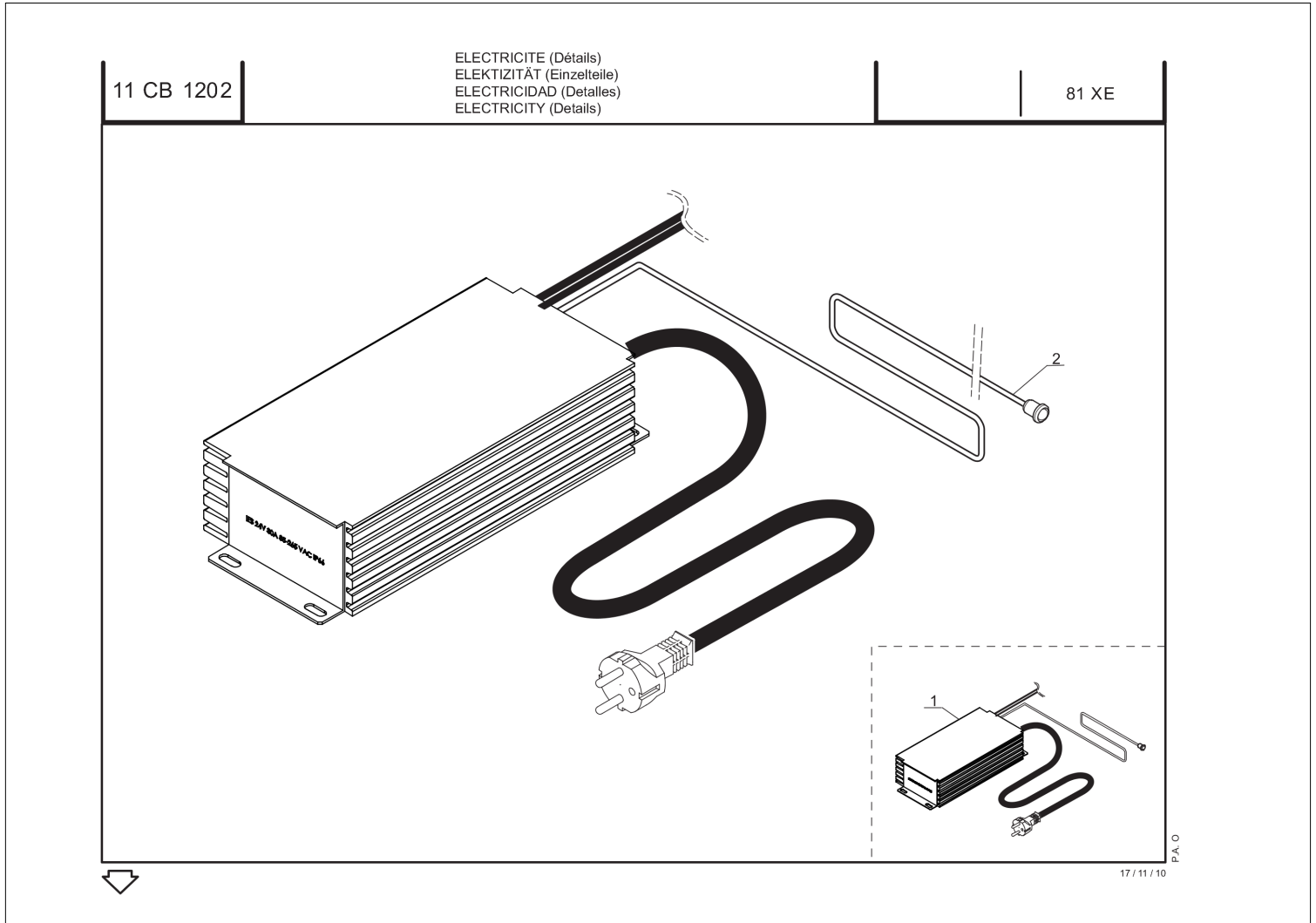
16 / 11 / 10
P.A.O. illu s

Item	Part No.	Name	Characteristics	Qty	Supersed PartNum ber	Product Type
2	683708	Unequipped console		1	597633	81 XE
3	597475	Serigraphy front basket console		1		81 XE
4	604519	Switch		1		81 XE
5	603149	Cap		2	604368, 602223	81 XE
6	603362	Switch		2		81 XE
7	679253	Remote control unit		2	685705, 830250	81 XE
8	661606	Bellows		1		81 XE
9	661607	Cap		1		81 XE
10	604520	Push button		1		81 XE
11	604521	Cap		1		81 XE
12	604522	Diode		2		81 XE
13	247078	Switch + base plate		1		81 XE
14	947178	BUTTON		1	603361	81 XE
16	561862	Buzzer		1	562206	81 XE
17	597629	Wiring harness (Intermediate connector/Personnel basket cont		1		81 XE
18	597636	Complete connector wiring harness		1		81 XE
19	602825	Seal		1		81 XE
20	894581	INSTRUMENT PANEL		1	685901	81 XE
21	685906	Modulus		1	241513	81 XE
22	685905	Sheat		1		81 XE
23	832414	Complete connector wiring harness		1		81 XE

ELECTRICITY

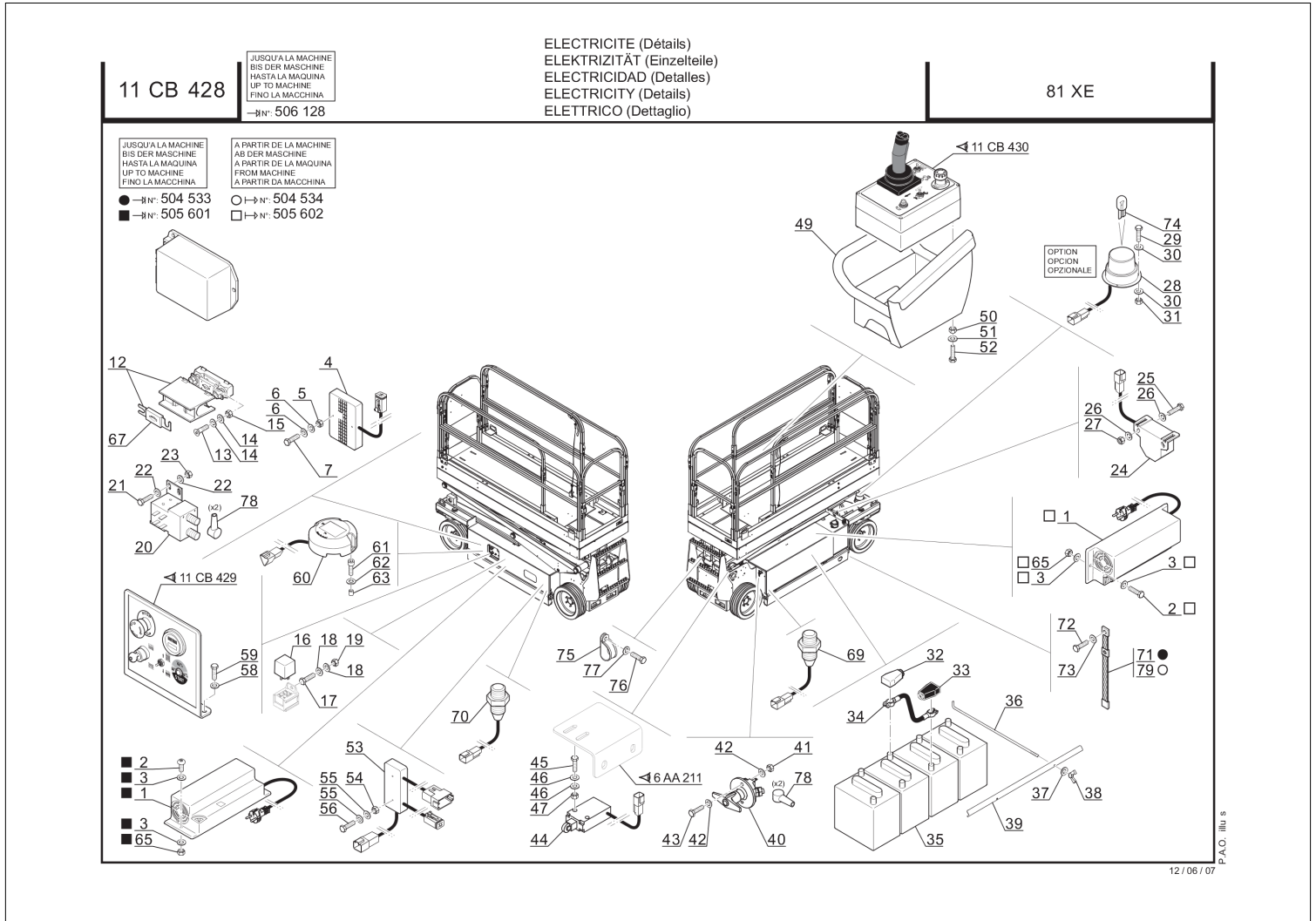


Item	Part No.	Name	Characteristics	Qty	Supersed PartNum ber	Product Type
2	683708	Unequipped console		1	597633	81 XE
3	597475	Serigraphy front basket console		1		81 XE
4	604519	Switch		1		81 XE
5	603149	Cap		2	604368, 602223	81 XE
6	603362	Switch		2		81 XE
7	679253	Remote control unit		2	685705, 830250	81 XE
8	661606	Bellows		1		81 XE
9	661607	Cap		1		81 XE
10	604520	Push button		1		81 XE
11	604521	Cap		1		81 XE
12	604522	Diode		2		81 XE
13	247078	Switch + base plate		1		81 XE
14	947178	BUTTON		1	603361	81 XE
16	561862	Buzzer		1	562206	81 XE
17	597629	Wiring harness (Intermediate connector/Personnel basket cont		1		81 XE
19	602825	Seal		1		81 XE
20	894581	INSTRUMENT PANEL		1	685901	81 XE
21	685906	Modulus		1	241513	81 XE
22	685905	Sheat		1		81 XE
23	832414	Complete connector wiring harness		1		81 XE



Item	Part No.	Name	Characteristics	Qty	Superse ded PartNum ber	Product Type
1	832866	BATTERY CHARGER		1	768575	81 XE
2	788151	Charging indicator		1		81 XE

ELECTRICITY



Item	Part No.	Name	Characteristics	Qty	Superse ded PartNum ber	Product Type
Not Shown	662075	Bulb		1		81 XE
1	597101	Battery charger		1		81 XE
2	205275	Black screw	CBHc,M6-20- 10.9-ZN5	3		81 XE
3	29469	Washer	M6 ZN	6		81 XE
4	685907	Modulus		1	596377	81 XE
5	175921	Nut	H,M 3 ZN	2		81 XE
6	459747	Washer		4		81 XE
7	596397	Screw		2		81 XE
8	596932	Variable speed unit		1		81 XE
9	46668	Screw	H M6-20-8.8- ZN5/C	3		81 XE
10	29469	Washer	M6 ZN	6		81 XE
11	162229	Nut	H,FRm 6 C 8 ZN..C	3		81 XE
12	595390	Fuse holder		1		81 XE
13	191113	Screw		2		81 XE
14	28988	Washer	M4 ZN	2		81 XE
15	485980	Nut	H,FRm 4 C 8 ZN	2		81 XE
16	604518	Relay		1		81 XE
17	198004	Nut	H,FRm 5 ZN	1		81 XE
18	28959	Washer	M5 ZN	2		81 XE
19	54230	Screw		1		81 XE
20	595942	Switch power relay		1		81 XE
21	46668	Screw	H M6-20-8.8- ZN5/C	2		81 XE
22	29469	Washer	M6 ZN	4		81 XE
23	162229	Nut	H,FRm 6 C 8 ZN..C	2		81 XE
24	597461	Horn		1		81 XE
25	46668	Screw	H M6-20-8.8- ZN5/C	2		81 XE
26	29469	Washer	M6 ZN	4		81 XE
27	162229	Nut	H,FRm 6 C 8 ZN..C	2		81 XE
28	554947	Flashing light		1		81 XE
29	506950	Screw		3		81 XE
30	28988	Washer	M4 ZN	6		81 XE
31	485980	Nut	H,FRm 4 C 8 ZN	3		81 XE
32	177012	Cap (red)		4		81 XE

Item	Part No.	Name	Characteristics	Qty	Superseded PartNumber	Product Type
33	177013	Cap (black)		4		81 XE
34	595847	Wiring harness (+Battery/-Battery)		3		81 XE
35	595255	Battery		4		81 XE
36	595566	Rod		2		81 XE
37	2435	Fly nut		2		81 XE
38	29469	Washer	M6 ZN	2		81 XE
39	595567	Stop plate		1		81 XE
40	518230	Breaker circuit		1		81 XE
41	162229	Nut	H,FRm 6 C 8 ZN..C	2		81 XE
42	29469	Washer	M6 ZN	4		81 XE
43	58525	Screw		2		81 XE
44	597464	Switch (Scissors) with wiring harness		1		81 XE
45	58522	Screw		2		81 XE
46	28988	Washer	M4 ZN	4		81 XE
47	485980	Nut	H,FRm 4 C 8 ZN	2		81 XE
49	597125	Bracket		1		81 XE
50	485980	Nut	H,FRm 4 C 8 ZN	4		81 XE
51	28988	Washer	M4 ZN	4		81 XE
52	57771	Screw		4		81 XE
53	596376	Electronic modulus S10		1		81 XE
54	175921	Nut	H,M 3 ZN	2		81 XE
55	459747	Washer		4		81 XE
56	596397	Screw		2		81 XE
58	42316	Washer	W6 ZN	2		81 XE
59	46668	Screw	H M6-20-8.8-ZN5/C	2		81 XE
60	683092	Tilting switch with wiring harness		1		81 XE
61	679913	Screw		3		81 XE
62	28959	Washer	M5 ZN	3		81 XE
63	679912	Spacer		3		81 XE
65	162229	Nut	H,FRm 6 C 8 ZN..C	3		81 XE
69	596356	Switch (R.H. Stabilizer) with wiring harness		1		81 XE
70	596384	Switch (L.H. Stabilizer) with wiring harness		1		81 XE
71	594350	Antistatic strap		1	178056	81 XE

Item	Part No.	Name	Characteristics	Qty	Superse ded PartNum ber	Product Type
72	58525	Screw		1		81 XE
73	29469	Washer	M6 ZN	2		81 XE
74	662075	Bulb		1		81 XE
75	175751	Clamp		2		81 XE
76	46668	Screw	H M6-20-8.8- ZN5/C	2		81 XE
77	174132	JZC washer	JZC 6 CAD.BICH	2		81 XE
78	594290	Cap		7		81 XE
79	676695	Antistatic strap		1		81 XE

ELECTRICITY

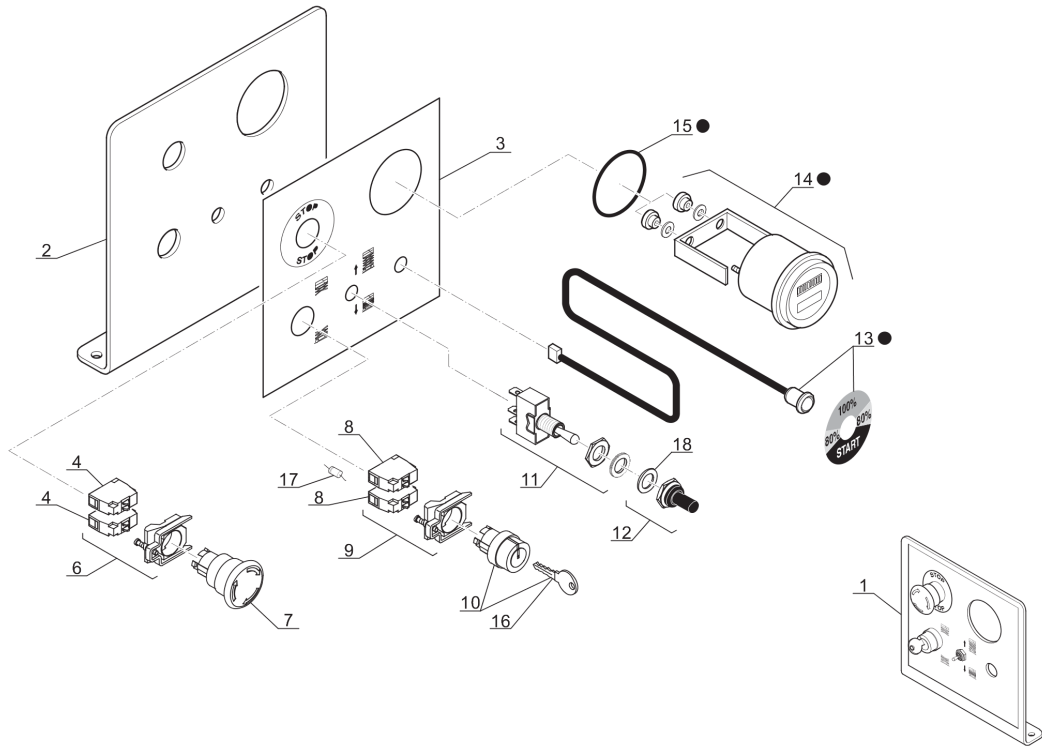
11 CB 429

JUSQU'A LA MACHINE
BIS ZUR MASCHINE
HASTA LA MAQUINA
UP TO MACHINE
ENCLIA LA MACCHINA
→N°: 506 128

ELECTRICITE (Détails)
ELEKTRIZITÄT (Einzelteile)
ELECTRICIDAD (Detalles)
ELECTRICITY (Details)
ELETRICO (Dettaglio)

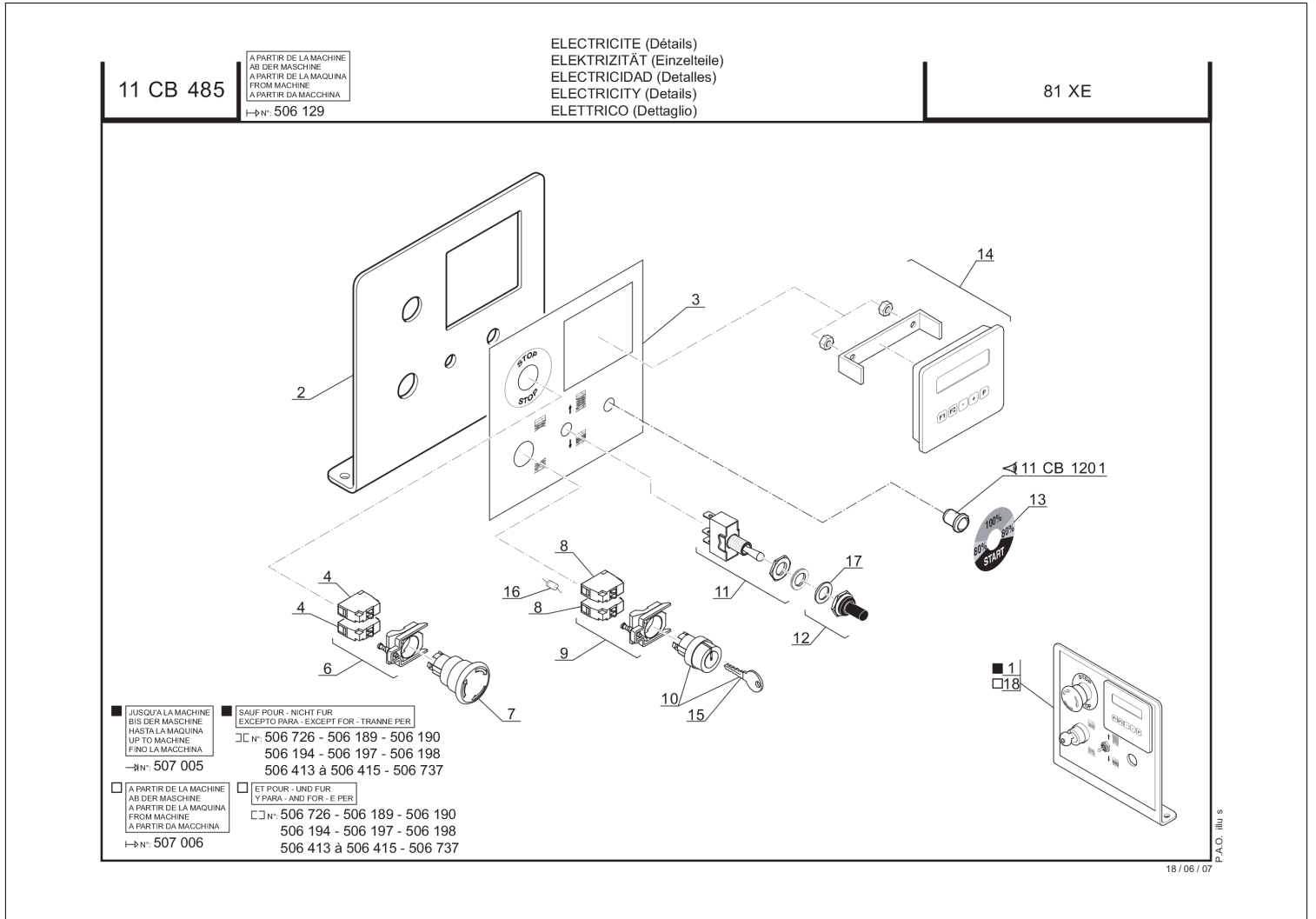
81 XE

● NON LIVRE AVEC REP. 1
NICHT DELIEFERT MIT HWV. 1
NO ENTREGADOS CON FIG. 1
NOT DELIVERED WITH ITEM 1
NO CONSEGNARE CON SEQU. 1



08 / 06 / 07 P.A.O. illus

Item	Part No.	Name	Characteristics	Qty	Superse ded PartNum ber	Product Type
1	596365	Complete control console (Ground)		1		81 XE
2	597178	Plate		1		81 XE
3	599159	Serigraphy front main box		1		81 XE
4	603362	Switch		2		81 XE
6	247078	Switch + base plate		1		81 XE
7	310303	Emergency stop button		1		81 XE
8	603357	Switch		2		81 XE
9	603363	Switch + base plate		1		81 XE
10	604525	Ignition switch		1		81 XE
11	830254	Switch		1	594050	81 XE
12	603149	Cap		1	604368, 602223	81 XE
13	597112	Warning light with wiring harness		1		81 XE
14	596392	Hour recorder		1		81 XE
15	602397	"0" ring		1		81 XE
16	70149	Key		1		81 XE
17	561871	Diode		1		81 XE
18	602224	Gasket		1	746683	81 XE



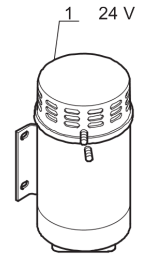
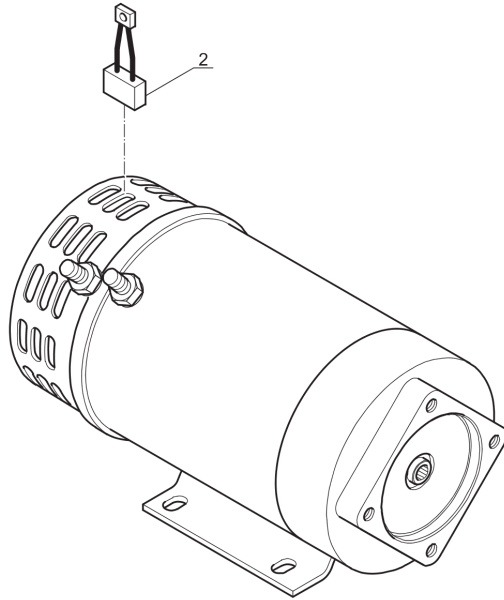
Item	Part No.	Name	Characteristics	Qty	Superseded PartNumber	Product Type
1	768641	Complete control console (Ground)		1		81 XE
2	768642	Plate		1		81 XE
3	768643	Serigraphy front main box		1		81 XE
4	603362	Switch		2		81 XE
6	247078	Switch + base plate		1		81 XE
7	310303	Emergency stop button		1		81 XE
8	603357	Switch		2		81 XE
9	603363	Switch + base plate		1		81 XE
10	604525	Ignition switch		1		81 XE
11	830254	Switch		1	594050	81 XE
12	603149	Cap		1	604368, 602223	81 XE
13	685747	Adhesive		1		81 XE
14	597435	Electronic modulus		1		81 XE
15	70149	Key		1		81 XE
16	561871	Diode		1		81 XE
17	602224	Gasket		1	746683	81 XE
18	678129	Complete control console (Ground)		1		81 XE

11 CD 69

MOTEUR
MOTOR
MOTOR
ENGINE

120 AE
D 80 ER / ERS
78 / 81 XE

80 VJR
105/110 VJR2
80/100/120 XEL



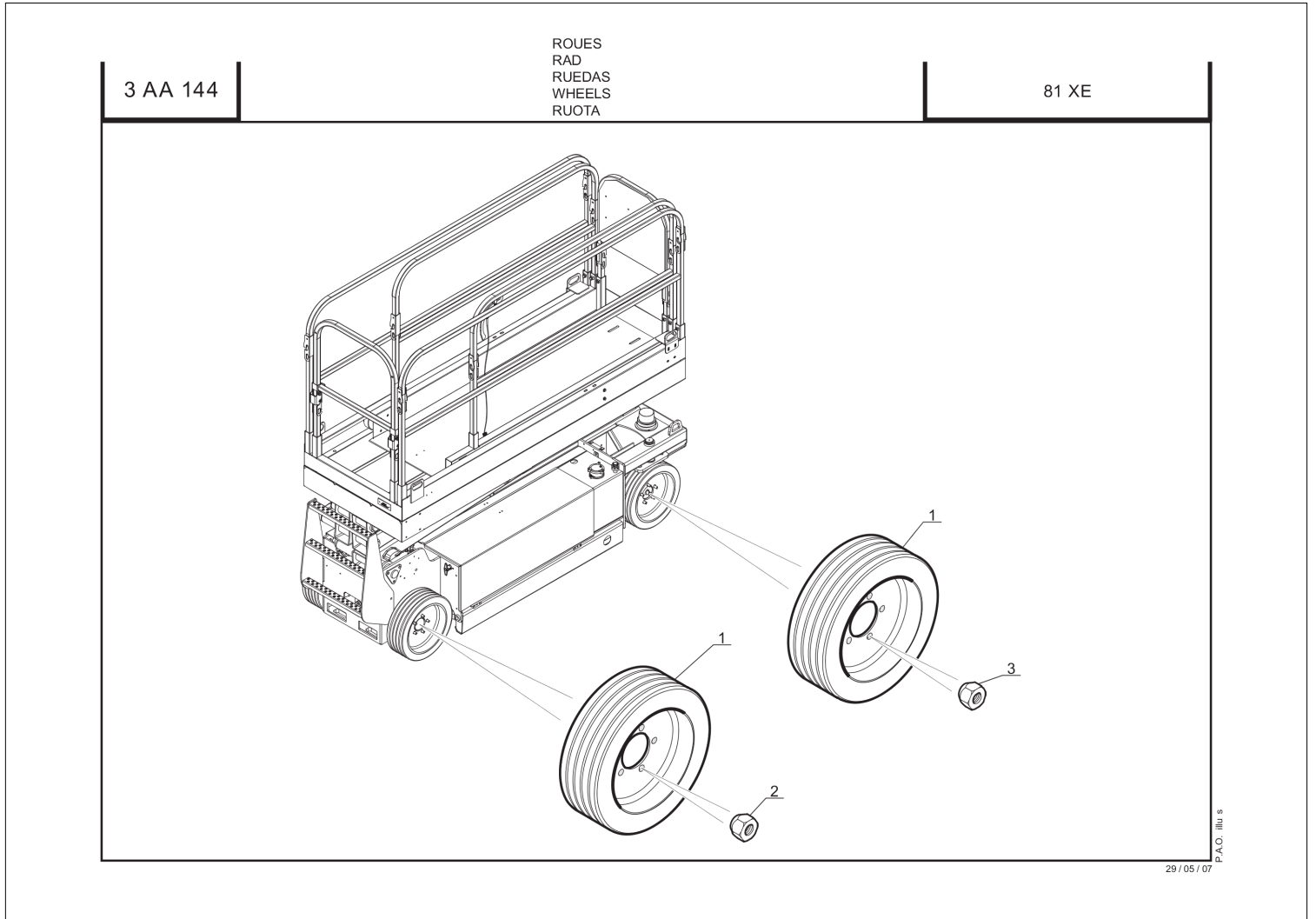
03 / 12 / 04

P.A.O. illus

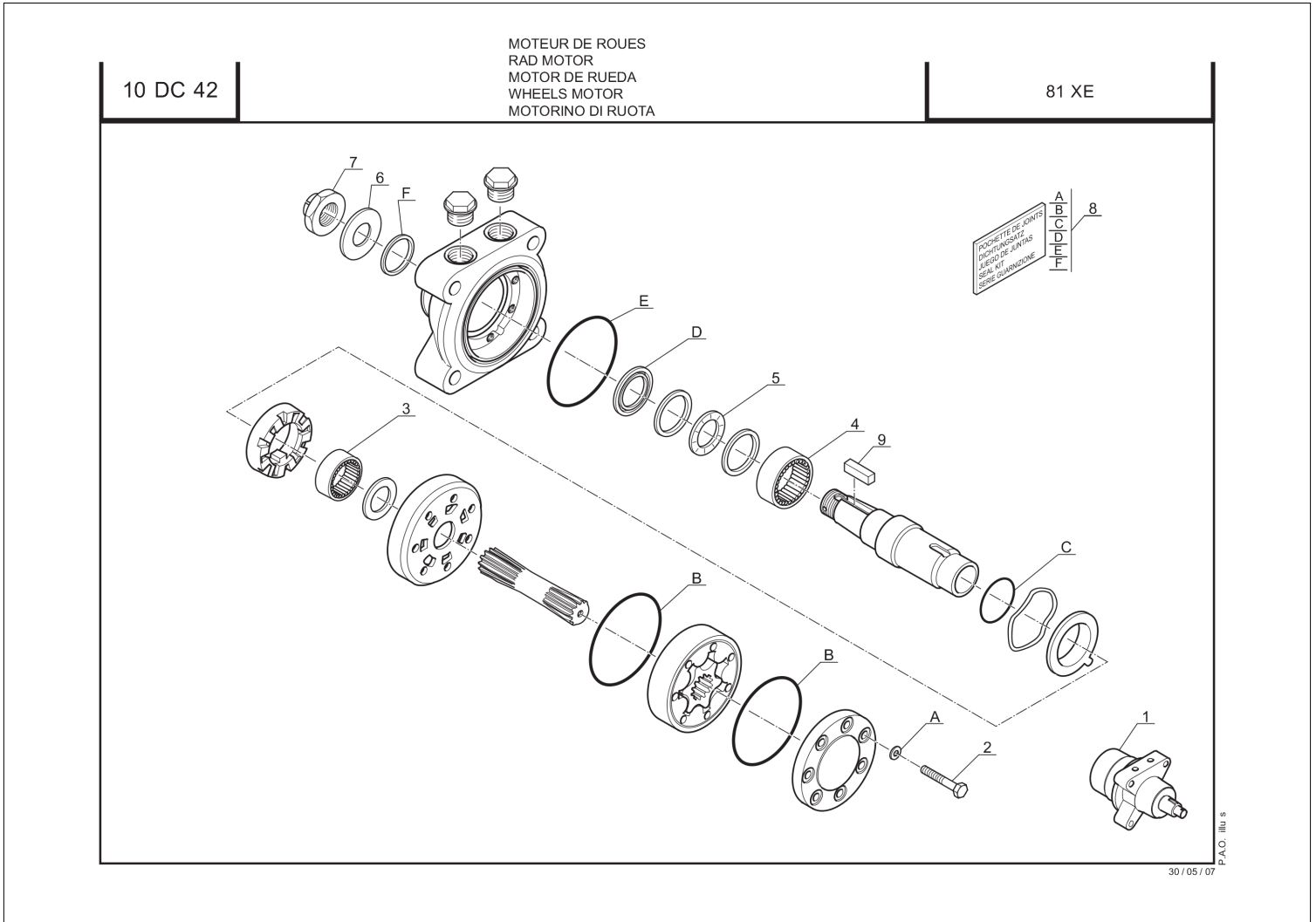
Item	Part No.	Name	Characteristics	Qty	Superse ded PartNum ber	Product Type
1	592830	Principal pump motor		1		81 XE
2	702599	Brush		4		81 XE

**NO DRAWING
AVAILABLE
FOR THIS BOM**

Item	Part No.	Name	Characteristics	Qty	Superse ded PartNum ber	Product Type
1	592830	Principal pump motor		1		78 XE, 81 XE
2	702599	Brush		4		78 XE, 81 XE

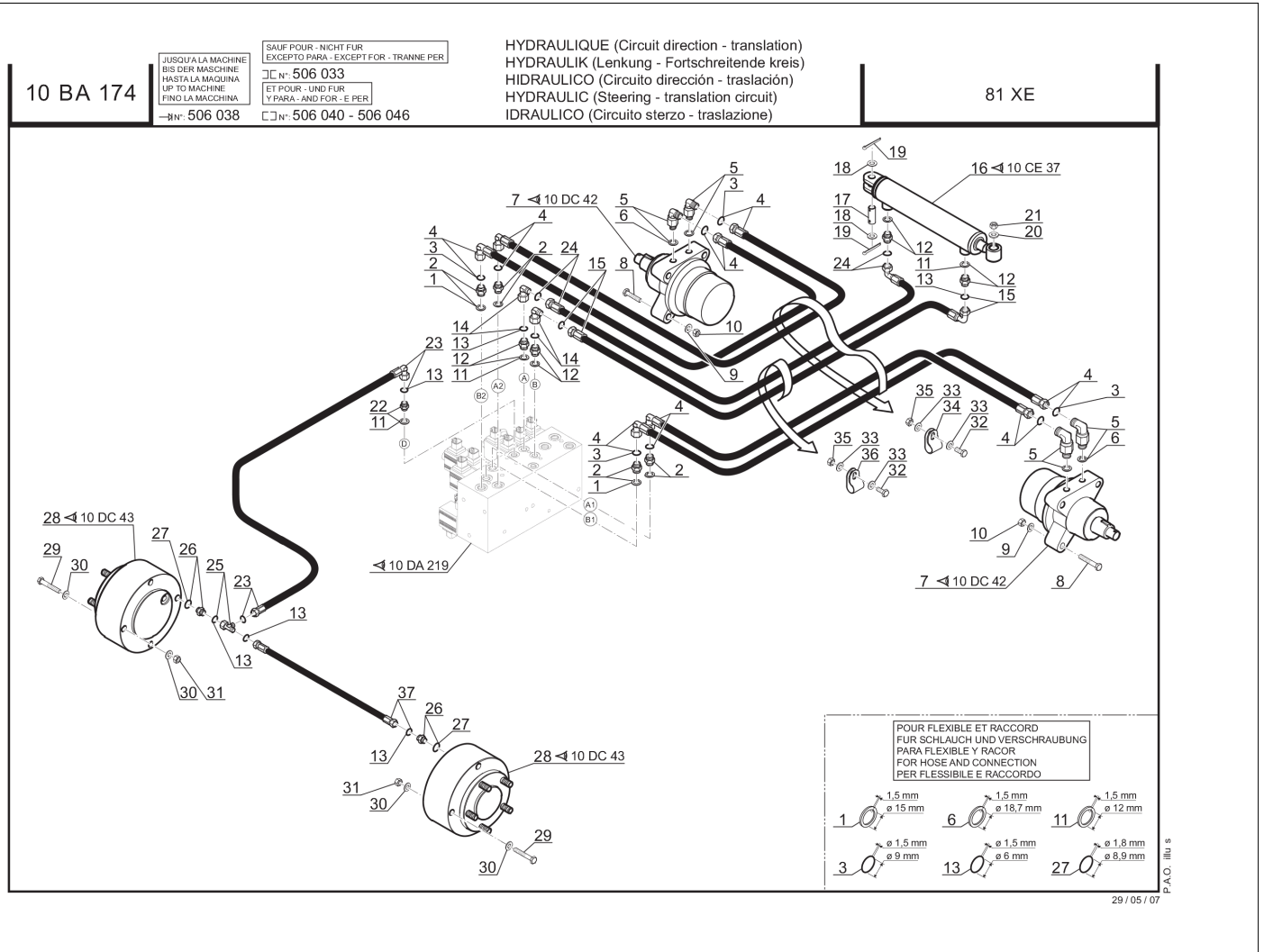


Item	Part No.	Name	Characteristics	Qty	Superse ded PartNum ber	Product Type
1	595743	Complete wheel		4		81 XE
2	595937	Rear wheel nut		10		81 XE
3	622380	Front wheel nut		10		81 XE



Item	Part No.	Name	Characteristics	Qty	Superse ded PartNum ber	Product Type
1	894441	HYDRAULIC MOTOR		1	596955	81 XE
1	596954	Wheel motor (R.H.)		1		81 XE
2	604506	Screw		7		81 XE
3	604507	Bearing		1		81 XE
4	604508	Bearing		1		81 XE
5	604509	Bearing		1		81 XE
6	604504	Washer		1		81 XE
7	604505	Nut		1		81 XE
8	958720	SEAL KIT		1	604510	81 XE
9	702137	Key		1		81 XE

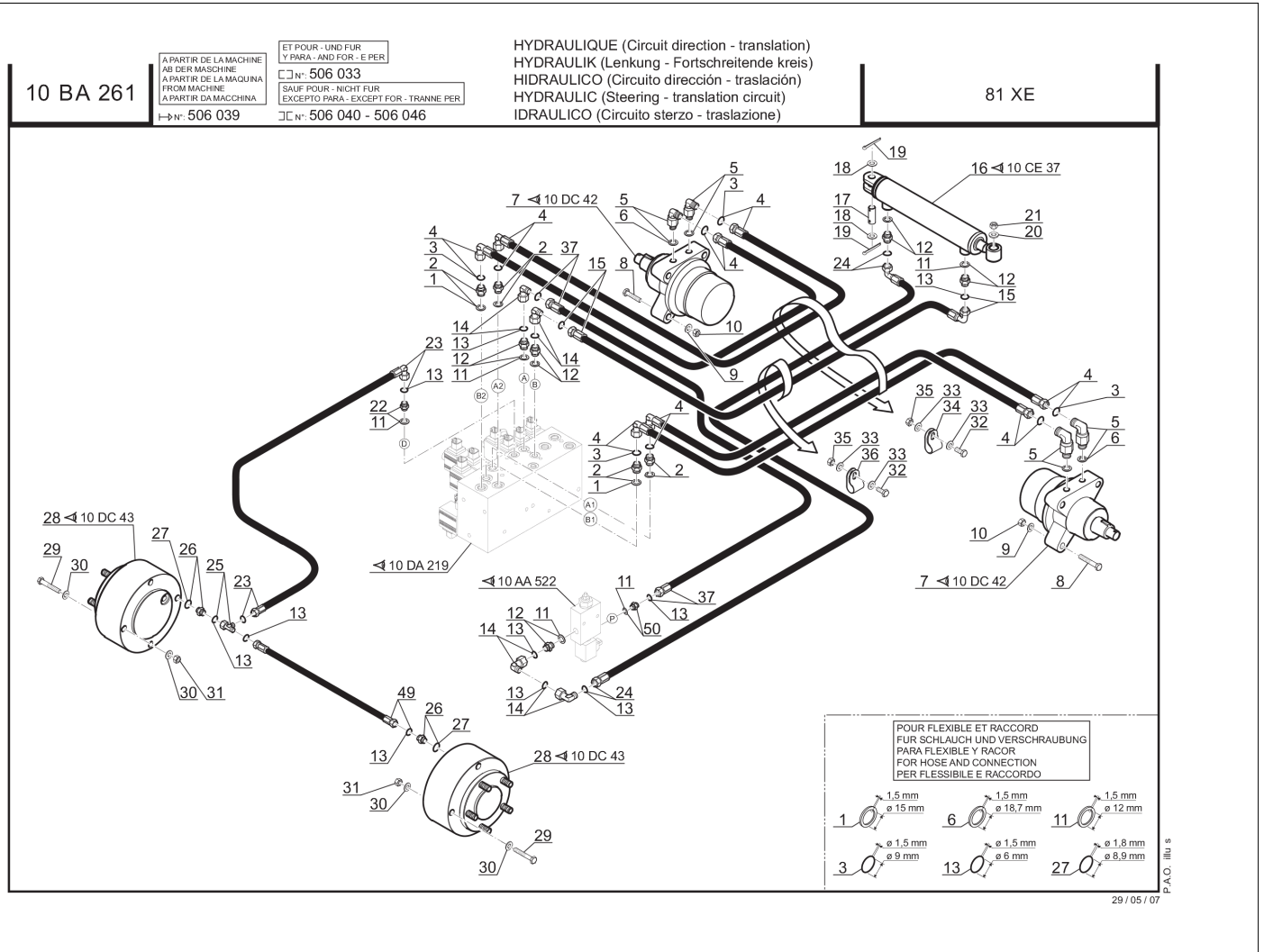
STEERING



Item	Part No.	Name	Characteristics	Qty	Superseded Part Number	Product Type
1	190877	Watertight seal		0		81 XE
2	192386	Union		4		81 XE
3	190874	O ring		0		81 XE
4	597081	Hose		4		81 XE
5	595355	Connection		4		81 XE
6	184787	Watertight seal		0		81 XE
7	596954	Wheel motor (R.H.)		1		81 XE
7	894441	HYDRAULIC MOTOR		1	596955	81 XE
8	76462	Screw		8		81 XE
9	61676	Washer	M12 ZN	8		81 XE
10	44672	Nut Jam		8		81 XE
11	177636	Watertight seal		0		81 XE
12	191197	Union		4		81 XE
13	190013	O ring		0		81 XE
14	497922	Elbow connector adaptor	90°	2		81 XE
15	596999	Hose		1		81 XE
16	595768	Steering cylinder		1		81 XE
17	596928	Pin		1		81 XE
18	61680	Washer	M14 ZN	2		81 XE
19	8038	Pin		2		81 XE
20	62203	Washer		1		81 XE
21	171460	Nut	H,FRm16 ZN	1		81 XE
22	191197	Union		1		81 XE
23	506590	Hose		1		81 XE
24	224840	Hose		1		81 XE
25	190442	Connection		1		81 XE
26	225508	Connection		2		81 XE
27	82753	"O" ring		0		81 XE
28	595763	Complete brake		2		81 XE
29	168547	screw		8	478557	81 XE
30	61676	Washer	M12 ZN	16		81 XE
31	44672	Nut Jam		8		81 XE
32	57446	Screw	H M8-25-8.8-ZN8/C	2		81 XE
33	61674	Washer	M8 ZN	4		81 XE
34	88246	Clamp		1		81 XE

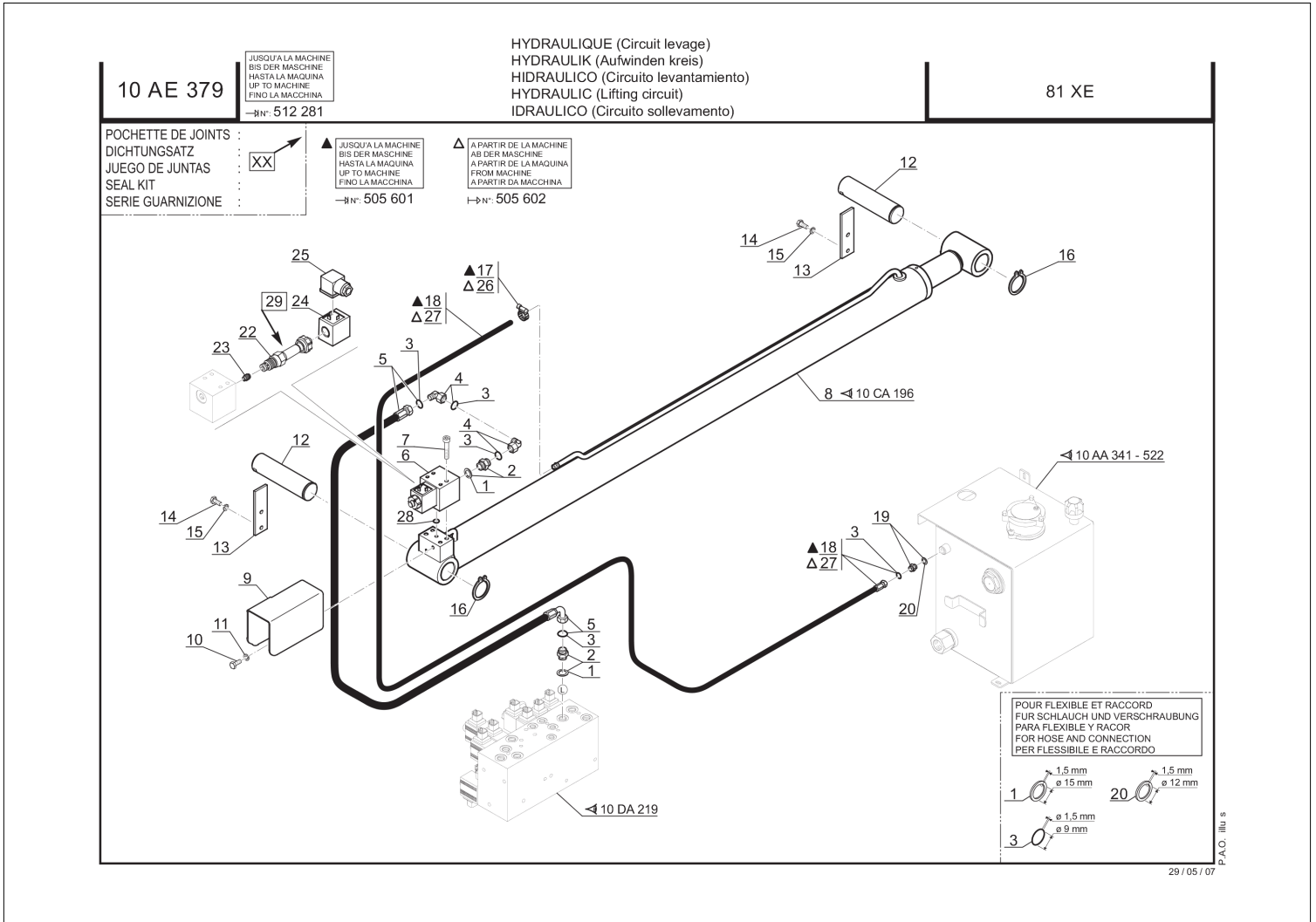
Item	Part No.	Name	Characteristics	Qty	Superse ded PartNum ber	Product Type
35	54242	Nut	H,FRm 8 C 8 ZN..C ; INDESSERABLE	2		81 XE
36	86506	Clamp		1		81 XE
37	596430	Hose		1		81 XE

STEERING

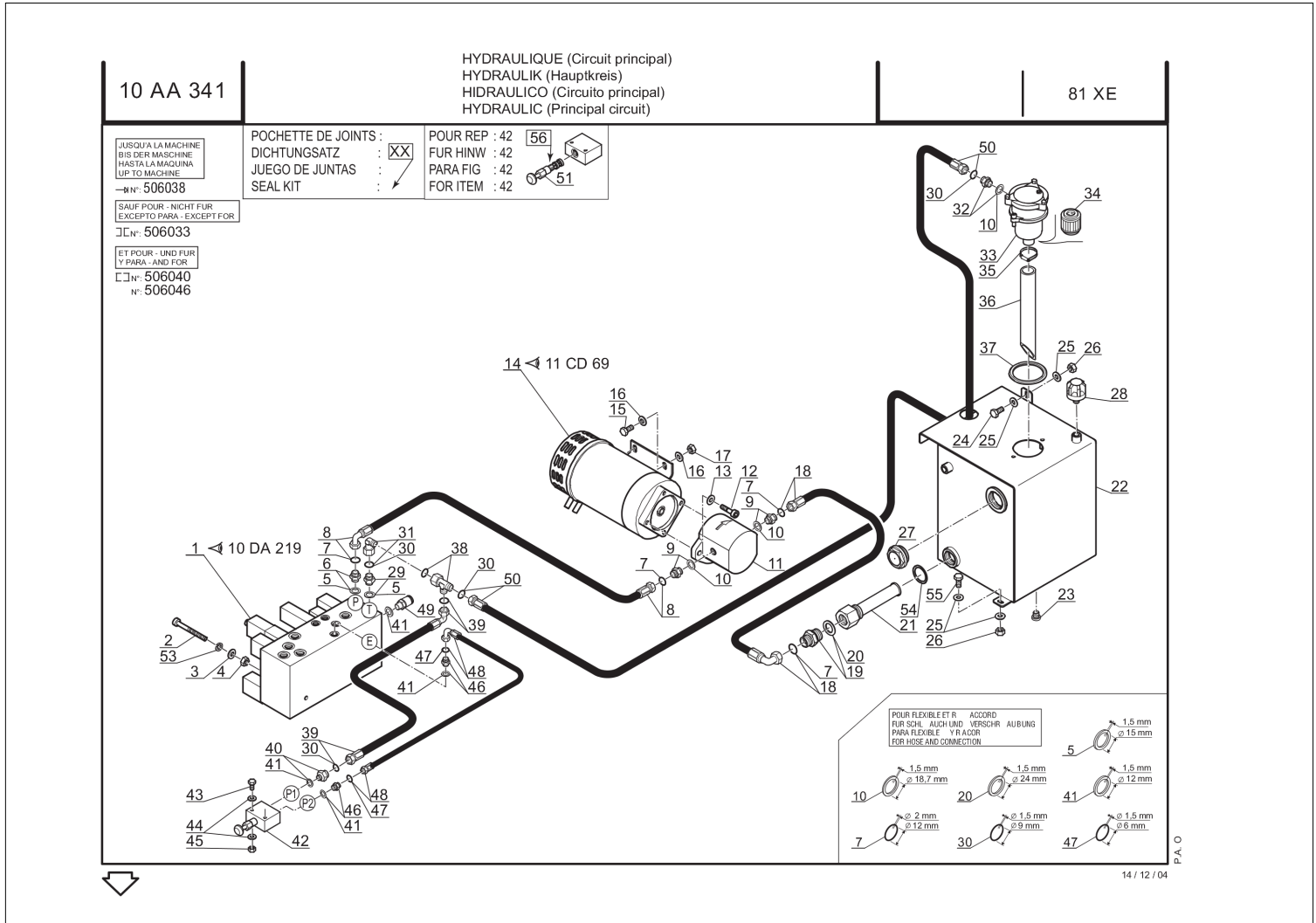


Item	Part No.	Name	Characteristics	Qty	Superseded Part Number	Product Type
1	190877	Watertight seal		0		81 XE
2	192386	Union		4		81 XE
3	190874	O ring		0		81 XE
4	597081	Hose		4		81 XE
5	595355	Connection		4		81 XE
6	184787	Watertight seal		0		81 XE
7	894441	HYDRAULIC MOTOR		1	596955	81 XE
7	596954	Wheel motor (R.H.)		1		81 XE
8	76462	Screw		8		81 XE
9	61676	Washer	M12 ZN	8		81 XE
10	44672	Nut Jam		8		81 XE
11	177636	Watertight seal		0		81 XE
12	191197	Union		5		81 XE
13	190013	O ring		0		81 XE
14	497922	Elbow connector adaptor	90°	4		81 XE
15	596999	Hose		1		81 XE
16	595768	Steering cylinder		1		81 XE
17	596928	Pin		1		81 XE
18	61680	Washer	M14 ZN	2		81 XE
19	8038	Pin		2		81 XE
20	62203	Washer		1		81 XE
21	171460	Nut	H,FRm16 ZN	1		81 XE
22	231400	Connection		1		81 XE
23	506590	Hose		1		81 XE
24	597933	Hose		1		81 XE
25	190442	Connection		1		81 XE
26	225508	Connection		2		81 XE
27	82753	"O" ring		0		81 XE
28	595763	Complete brake		2		81 XE
29	168547	screw		8	478557	81 XE
30	61676	Washer	M12 ZN	16		81 XE
31	44672	Nut Jam		8		81 XE
32	57446	Screw	H M8-25-8.8-ZN8/C	2		81 XE
33	61674	Washer	M8 ZN	4		81 XE
34	88246	Clamp		1		81 XE

Item	Part No.	Name	Characteristics	Qty	Superse ded PartNum ber	Product Type
35	54242	Nut	H,FRm 8 C 8 ZN..C ; INDESSERABLE	2		81 XE
36	86506	Clamp		1		81 XE
37	506561	Hose		1		81 XE
49	596430	Hose		1		81 XE
50	519297	Connection		1		81 XE

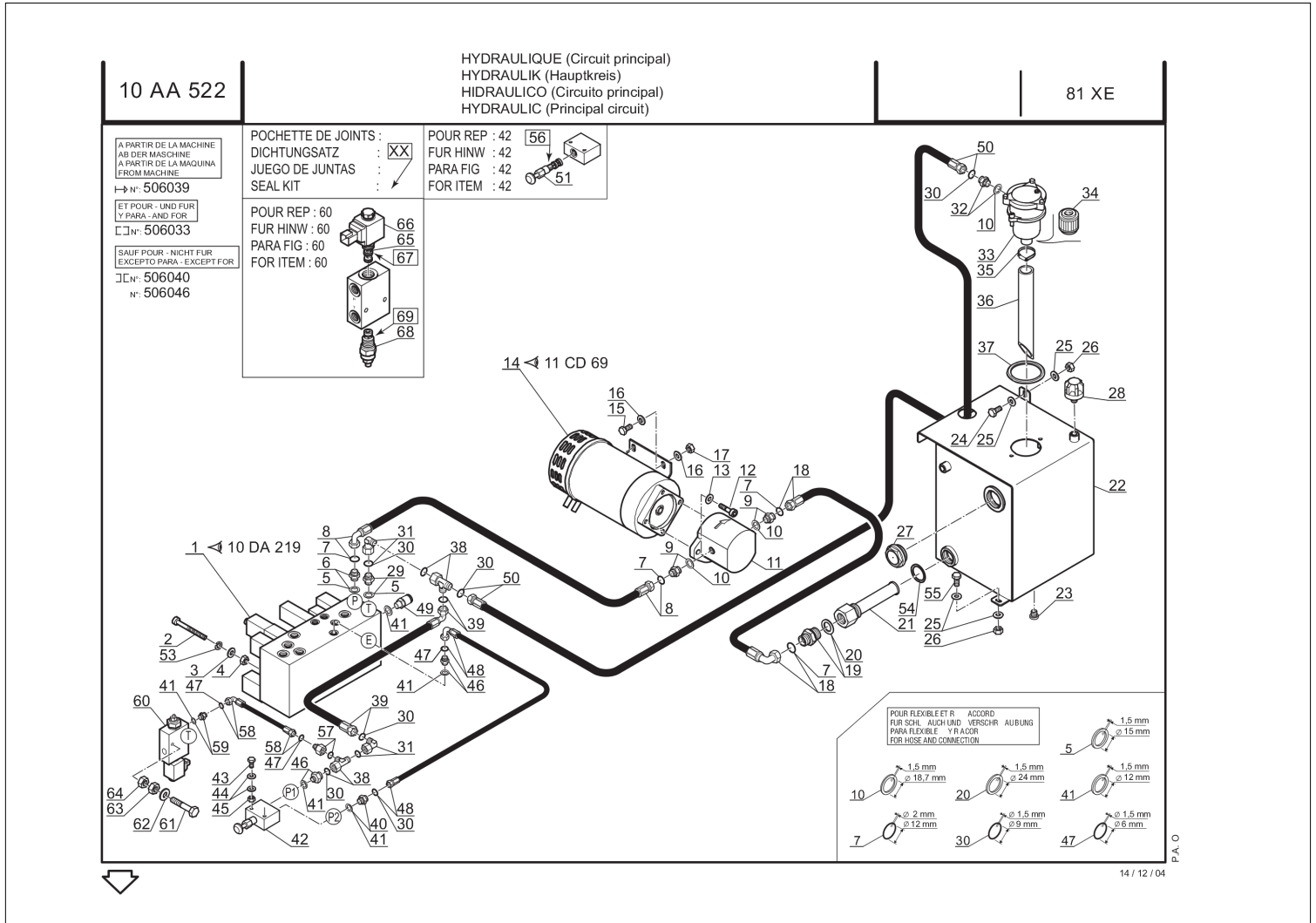


Item	Part No.	Name	Characteristics	Qty	Superse ded PartNum ber	Product Type
1	190877	Watertight seal		0		81 XE
2	192386	Union		2		81 XE
3	190874	O ring		0		81 XE
4	197233	Elbow connector adaptor		2		81 XE
5	506564	Hose		1		81 XE
6	596459	Relief valve block		1		81 XE
7	57757	Screw		4		81 XE
8	595996	Lifting cylinder		1		81 XE
9	596452	Bonnet		1		81 XE
10	25713	Screw	H M6-16-8.8- ZN5/C	2		81 XE
11	42316	Washer	W6 ZN	2		81 XE
12	595797	Pin		2		81 XE
13	595796	Stop plate		2		81 XE
14	25713	Screw	H M6-16-8.8- ZN5/C	4		81 XE
15	42316	Washer	W6 ZN	4		81 XE
16	20037	Circlip		2		81 XE
17	479218	Clamp		1		81 XE
18	596393	Hose		1		81 XE
19	191728	Union		1		81 XE
20	177636	Watertight seal		0		81 XE
22	604512	Electrovalve		1		81 XE
23	747048	Valve		1		81 XE
24	604339	Magnet coil		1		81 XE
25	58113	Connection test		1		81 XE
26	31468	Clamp		1		81 XE
27	597589	Hose		1		81 XE
28	705487	"0" ring		1		81 XE
29	705516	Seal kit		1		81 XE



Item	Part No.	Name	Characteristics	Qty	Superseded Part Number	Product Type
1	596349	Valve bank		1		81 XE
2	596552	Screw		2		81 XE
3	29469	Washer	M6 ZN	2		81 XE
4	162229	Nut	H,FRm 6 C 8 ZN..C	2		81 XE
5	190877	Watertight seal		0		81 XE
6	193772	Connection		1		81 XE
7	219457	O ring		0		81 XE
8	193770	Hose		1		81 XE
9	480158	Union		2		81 XE
10	184787	Watertight seal		0		81 XE
11	592829	Pump		1		81 XE
12	245903	SCREW		2	593892	81 XE
13	42232	Washer	W10 ZN	2		81 XE
14	592830	Principal pump motor		1		81 XE
15	63754	Screw	H M8-30-8.8- ZN8/C	4		81 XE
16	29468	Washer	L8 ZN12C/FE	8		81 XE
17	54242	Nut	H,FRm 8 C 8 ZN..C ; INDESSERABLE	4		81 XE
18	482559	Hose		1		81 XE
19	191727	Connection		1		81 XE
20	190878	Watertight seal		0		81 XE
21	598623	Suction strainer		1		81 XE
22	596838	Oil tank		1		81 XE
23	212080	Plug		1		81 XE
24	54305	Screw	H M6-30-8.8- ZN5/C	1		81 XE
25	29469	Washer	M6 ZN	4		81 XE
26	162229	Nut	H,FRm 6 C 8 ZN..C	2		81 XE
27	488236	niveau d'huile		1		81 XE
28	518325	Air breather		1		81 XE
29	192386	Union		1		81 XE
30	190874	O ring		0		81 XE
31	197233	Elbow connector adaptor		1		81 XE
32	190887	Union		1		81 XE
33	598628	Filter		1		81 XE

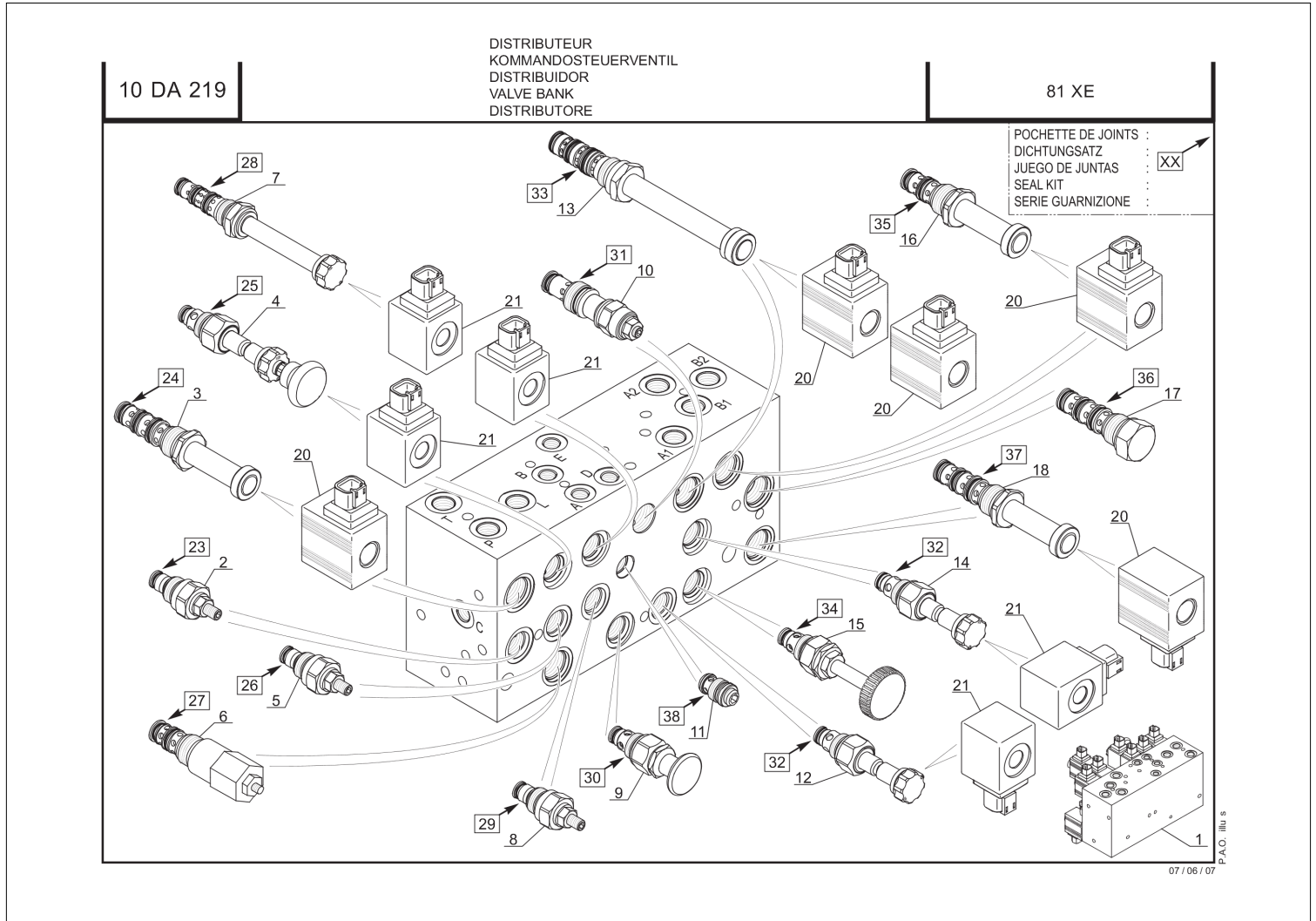
Item	Part No.	Name	Characteristics	Qty	Superse ded PartNum ber	Product Type
34	599004	Cartridge hydraulic return oil filter		1		81 XE
35	179312	Clamp		1		81 XE
36	520526	HOSE AIR		1	598884	81 XE
37	598631	Seal		1		81 XE
38	212831	Connection		1		81 XE
39	506590	Hose		1		81 XE
40	191728	Union		1		81 XE
41	177636	Watertight seal		0		81 XE
42	595769	Hydraulic bloc		1		81 XE
43	31007	Screw	H M6-50-8.8- ZN5/C	2		81 XE
44	29469	Washer	M6 ZN	4		81 XE
45	162229	Nut	H,FRm 6 C 8 ZN..C	2		81 XE
46	191197	Union		2		81 XE
47	190013	O ring		0		81 XE
48	206274	Hose		1		81 XE
49	498396	Connection (Pressure test)		1		81 XE
50	596998	Hose		1		81 XE
51	604417	Valve		1		81 XE
53	42316	Washer	W6 ZN	2		81 XE
54	35349	Copper seal		1		81 XE
55	58525	Screw		1		81 XE
56	705480	Seal kit		1		81 XE
57	168706	Screw	CHc,M6-30 zn	2		81 XE
58	42316	Washer	W6 ZN	2		81 XE
59	457814	"0" ring		1		81 XE



Item	Part No.	Name	Characteristics	Qty	Superseded Part Number	Product Type
1	596349	Valve bank		1		81 XE
2	596552	Screw		2		81 XE
3	29469	Washer	M6 ZN	2		81 XE
4	162229	Nut	H,FRm 6 C 8 ZN..C	2		81 XE
5	190877	Watertight seal		0		81 XE
6	193772	Connection		1		81 XE
7	219457	O ring		0		81 XE
8	193770	Hose		1		81 XE
9	480158	Union		2		81 XE
10	184787	Watertight seal		0		81 XE
11	592829	Pump		1		81 XE
12	245903	SCREW		2	593892	81 XE
13	42232	Washer	W10 ZN	2		81 XE
14	592830	Principal pump motor		1		81 XE
15	63754	Screw	H M8-30-8.8- ZN8/C	4		81 XE
16	29468	Washer	L8 ZN12C/FE	8		81 XE
17	54242	Nut	H,FRm 8 C 8 ZN..C ; INDESSERABLE	4		81 XE
18	482559	Hose		1		81 XE
19	191727	Connection		1		81 XE
20	190878	Watertight seal		0		81 XE
21	598623	Suction strainer		1		81 XE
22	596838	Oil tank		1		81 XE
23	212080	Plug		1		81 XE
24	54305	Screw	H M6-30-8.8- ZN5/C	1		81 XE
25	29469	Washer	M6 ZN	4		81 XE
26	162229	Nut	H,FRm 6 C 8 ZN..C	2		81 XE
27	488236	niveau d'huile		1		81 XE
28	518325	Air breather		1		81 XE
29	192386	Union		1		81 XE
30	190874	O ring		0		81 XE
31	197233	Elbow connector adaptor		2		81 XE
32	190887	Union		1		81 XE
33	598628	Filter		1		81 XE

Item	Part No.	Name	Characteristics	Qty	Superse ded PartNum ber	Product Type
34	599004	Cartridge hydraulic return oil filter		1		81 XE
35	179312	Clamp		1		81 XE
36	520526	HOSE AIR		1	598884	81 XE
37	598631	Seal		1		81 XE
38	212831	Connection		2		81 XE
39	506590	Hose		1		81 XE
40	191197	Union		2		81 XE
41	177636	Watertight seal		0		81 XE
42	595769	Hydraulic bloc		1		81 XE
43	31007	Screw	H M6-50-8.8- ZN5/C	2		81 XE
44	29469	Washer	M6 ZN	4		81 XE
45	162229	Nut	H,FRm 6 C 8 ZN..C	2		81 XE
46	191728	Union		1		81 XE
47	190013	O ring		0		81 XE
48	206274	Hose		1		81 XE
49	498396	Connection (Pressure test)		1		81 XE
50	596998	Hose		1		81 XE
51	604417	Valve		1		81 XE
53	42316	Washer	W6 ZN	2		81 XE
54	35349	Copper seal		1		81 XE
55	58525	Screw		1		81 XE
56	705480	Seal kit		1		81 XE
57	202511	Connection		1		81 XE
58	598764	Hose		1		81 XE
59	519297	Connection		1		81 XE
60	597671	Hydraulic bloc		1		81 XE
61	60950	Screw		2		81 XE
62	29469	Washer	M6 ZN	4		81 XE
63	25714	Nut	H,M 6 ZN	2		81 XE
64	162229	Nut	H,FRm 6 C 8 ZN..C	2		81 XE
65	703429	Electrovalve		1		81 XE
66	703419	Magnet coil		1		81 XE
67	705525	Seal kit		1		81 XE
68	894243	VALVE		1	703425	81 XE

Item	Part No.	Name	Characteristics	Qty	Superse ded PartNum ber	Product Type
69	705501	Seal kit		1		81 XE
70	168706	Screw	CHc,M6-30 zn	2		81 XE
71	42316	Washer	W6 ZN	2		81 XE
72	457814	"O" ring		1		81 XE



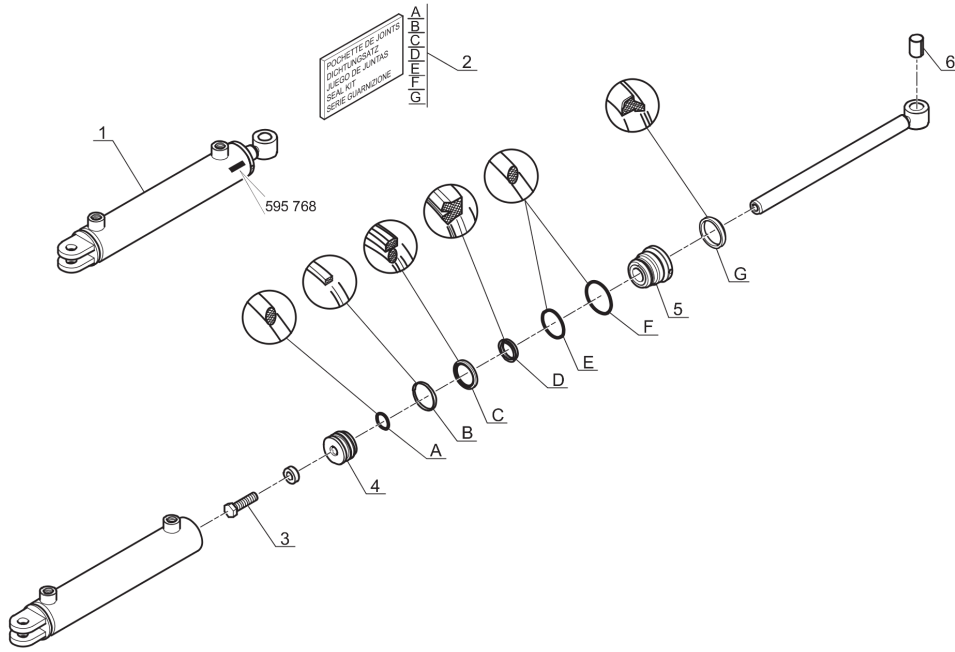
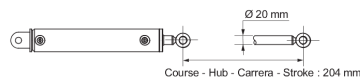
Item	Part No.	Name	Characteristics	Qty	Superseded PartNumber	Product Type
1	596349	Valve bank		1		81 XE
2	747049	Valve		1		81 XE
3	604478	Electrovalve		1		81 XE
4	788396	ELECTROVALVE		1	604479	81 XE
5	894247	VALVE		1	604480	81 XE
6	604515	Valve		1		81 XE
7	604393	Electrovalve		1		81 XE
8	604516	Valve		1		81 XE
9	604415	Valve		1		81 XE
10	894255	VALVE		1	604483	81 XE
11	604484	Valve		1		81 XE
12	604485	Electrovalve		1		81 XE
13	703422	Electrovalve		1	604486	81 XE
14	604485	Electrovalve		1		81 XE
15	604487	Valve		1		81 XE
16	604488	Electrovalve		1		81 XE
17	604489	Valve		1		81 XE
18	604490	Electrovalve		1		81 XE
20	605005	Magnet coil		5		81 XE
21	744875	SOLENOID		5	934360, 605004, 750288	81 XE
23	705542	Seal kit		1		81 XE
24	705502	Seal kit		1		81 XE
25	894171	SEAL KIT		1	705503, 746136	81 XE
26	705504	Seal kit		1		81 XE
27	705543	Seal kit		1		81 XE
28	705463	Seal kit		1		81 XE
29	705541	Seal kit		1		81 XE
30	894171	SEAL KIT		1	705503, 746136	81 XE
31	705510	Seal kit		1		81 XE
32	705509	Seal kit		2		81 XE
33	705511	Seal kit		1		81 XE
34	894385	SEAL KIT		1	705470	81 XE
35	705515	Seal kit		1		81 XE
36	705514	Seal kit		1		81 XE
37	705513	Seal kit		1		81 XE

Item	Part No.	Name	Characteristics	Qty	Superse ded PartNum ber	Product Type
38	705508	Seal kit		1		81 XE

10 CE 37

HYDRAULIQUE (Vérin de direction)
HYDRAULIK (Lenkungszylinder)
HIDRAULICO (Cilindro de dirección)
HYDRAULIC (Steering cylinder)
IDRAULICO (Cilindro di sterzo)

81 XE



P.A.C. illus
30 / 05 / 07

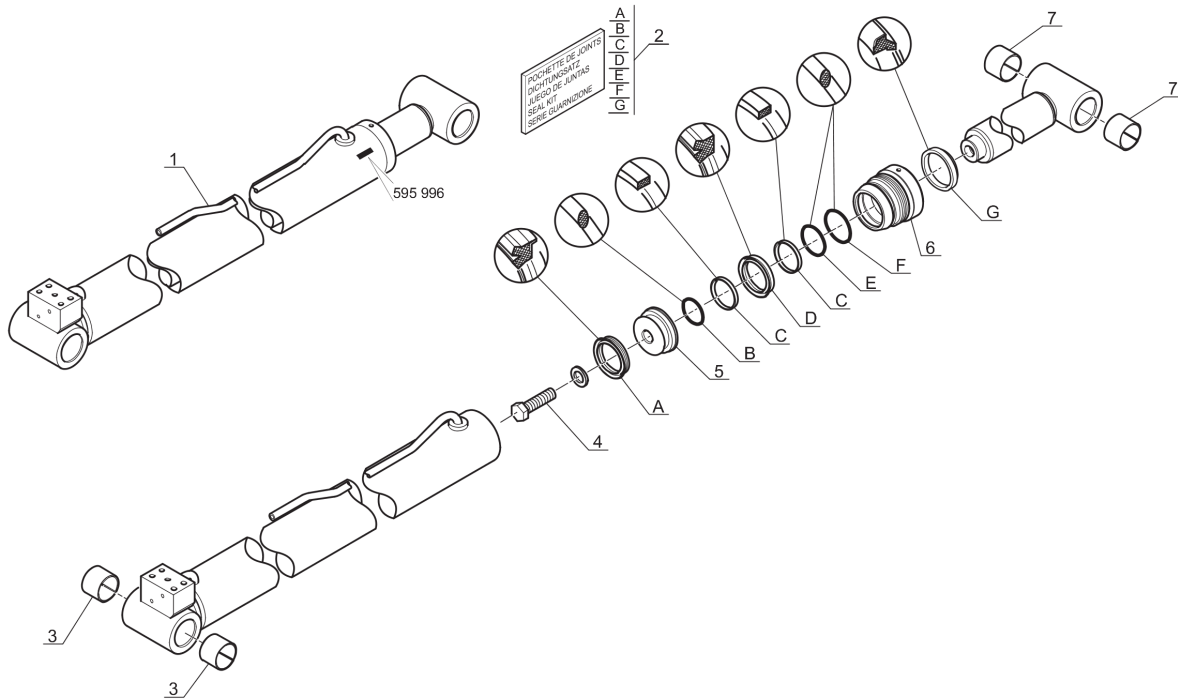
Item	Part No.	Name	Characteristics	Qty	Superse ded PartNum ber	Product Type
1	595768	Steering cylinder		1		81 XE
2	604473	Seal kit		1		81 XE
3	604200	Special Screw		1		81 XE
4	604474	Piston		1		81 XE
5	604201	Fastening ring		1		81 XE
6	604476	Bearing		1		81 XE

10 CA 196

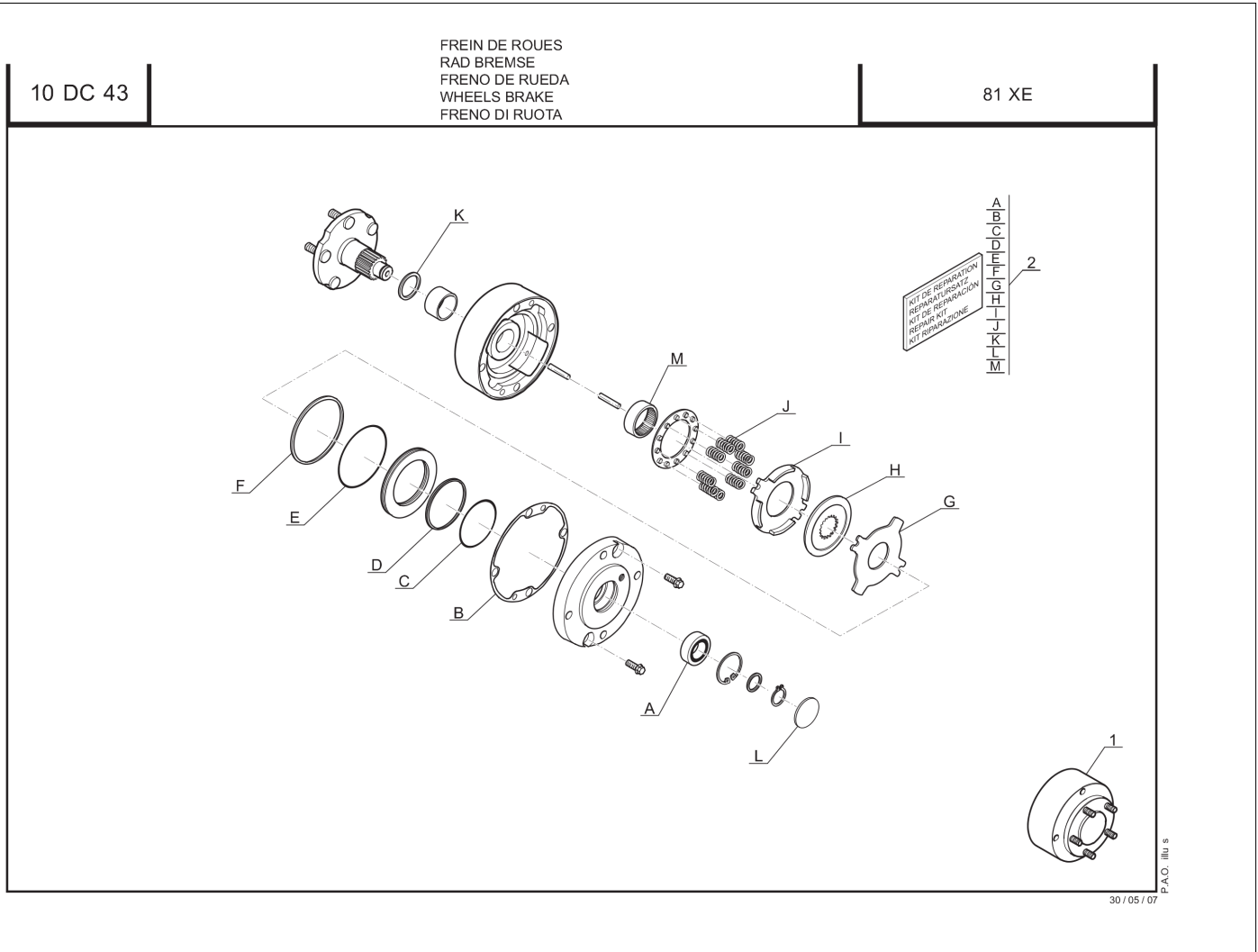
JUSQU'A LA MACHINE
BIS DER MASCHINE
HASTA LA MAQUINA
UP TO MACHINE
FIN LA MACCHINA
→N°: 512 281

HYDRAULIQUE (Vérin de levage)
HYDRAULIK (Aufwinden zylinder)
HYDRAULICO (Cilindro de levantamiento)
HYDRAULIC (Lifting cylinder)
IDRAULICO (Cilindro di sollevamento)

81 XE



Item	Part No.	Name	Characteristics	Qty	Superse ded PartNum ber	Product Type
1	595996	Lifting cylinder		1		81 XE
2	604526	Seal kit		1		81 XE
3	604523	Bearing		2		81 XE
4	604188	Special Screw		1		81 XE
5	604471	Piston		1		81 XE
6	604524	Fastening ring		1		81 XE
7	604523	Bearing		2		81 XE
8	678564	Lifting cylinder		1		81 XE



Item	Part No.	Name	Characteristics	Qty	Superse ded PartNum ber	Product Type
1	595763	Complete brake		2		81 XE
2	604517	Repair kit		1		81 XE

